
DIGITAL LIGHT METER INSTRUCTIONS

Congratulations on your purchase of the Hydrofarm Digital Light Meter. This precision instrument offers the ability to accurately measure light energy for plant growth. Please read these directions carefully for best results.

1. FEATURES

- Precise and easy readout in footcandles
- Wide range of light measurements
- Built-in LOW BATTERY indicator
- Automatic zero adjustment
- Digital LCD display provides low power consumption
- Compact and lightweight
- Separate LIGHT SENSOR allows user to take measurements at an optimum position

2. GENERAL SPECIFICATIONS

- Display.....13mm (0.5") LCD
 - Ranges.....0-5,000 footcandles, 3 ranges
 - Over-input.....indication of "1"
 - Sampling time.....0.4 seconds
 - Operating temperature....0° to 40°C (32° - 104°F)
 - Operating humidity.....less than 80% R.H.
 - Dimensions.....108 x 73 x 23mm (4.3 x 2.9 x 0.9")
-



Hydrofarm, Inc.

www.hydrofarm.com

Petaluma, CA

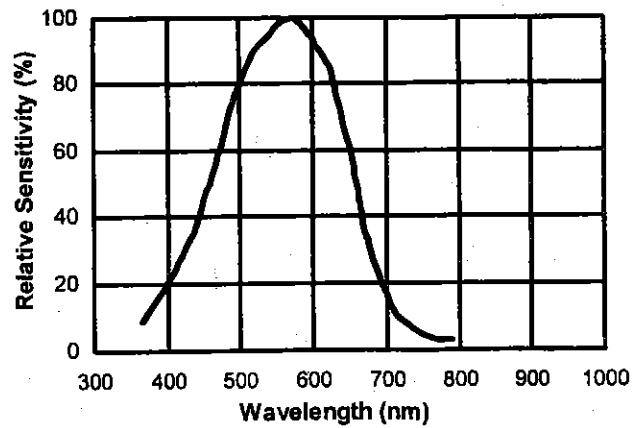
- Weight.....160g (0.36lb) / including battery
- Power supply.....9v battery
- Standard accessories.....1 light sensor, instruction manual

3. ELECTRICAL SPECIFICATIONS

Range (foot-candle)	Resolution	Accuracy ($23 \pm 5^{\circ}\text{C}$)
0 – 199.9	0.1 footcandle	$\pm(5\% + 2d)$
200 – 1999	1 footcandle	$\pm(5\% + 2d)$
2,000 – 5000	10 footcandle	$\pm(5\% + 2d)$

Note: Accuracy tested by a standard tungsten lamp of 2854°K

4. LIGHT SENSOR SPECTRUM SENSITIVITY



Hydrofarm, Inc.

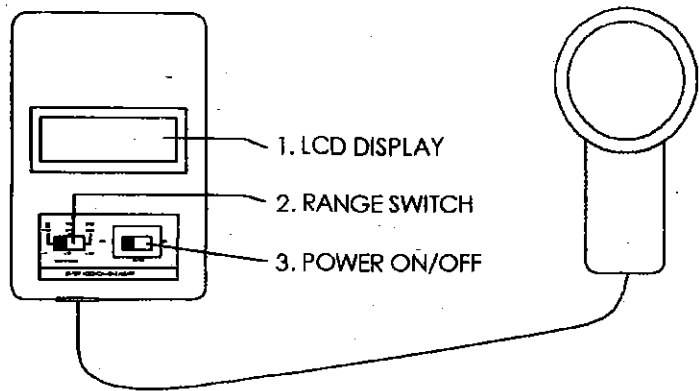
www.hydrofarm.com

Petaluma, CA

5. CORRECTION FACTOR:

- Mercury Lampx 1.1
- Fluorescent Lamp.....x 1.0
- Incandescent Lampx 1.0
- Daylight.....x 1.0

6. FRONT PANEL DESCRIPTION



7. MEASURING SUGGESTION:

The DIGITAL LIGHT METER is an accurate & sensitive instrument and its PHOTO SENSOR has a special feature for low light levels. If the display indicates one or more reading zeros, switch to the next lower range scale for a more accurate reading.



Hydrofarm, Inc.

www.hydrofarm.com

Petaluma, CA

8. REPLACEMENT OF BATTERY:

- a. It is necessary to replace the battery when left corner of LCD shows "LO-BAT".
- b. Slide out battery cover.
- c. Replace with a new 9v battery.

This digital light meter is guaranteed to be free of defects in workmanship or materials and to work for the original owner for one year from the date of purchase. Keep your receipt and return to place of purchase for any warranty concerns.



Hydrofarm, Inc.

www.hydrofarm.com

Petaluma, CA