

Pro™ Reflector

ASSEMBLY INSTRUCTIONS

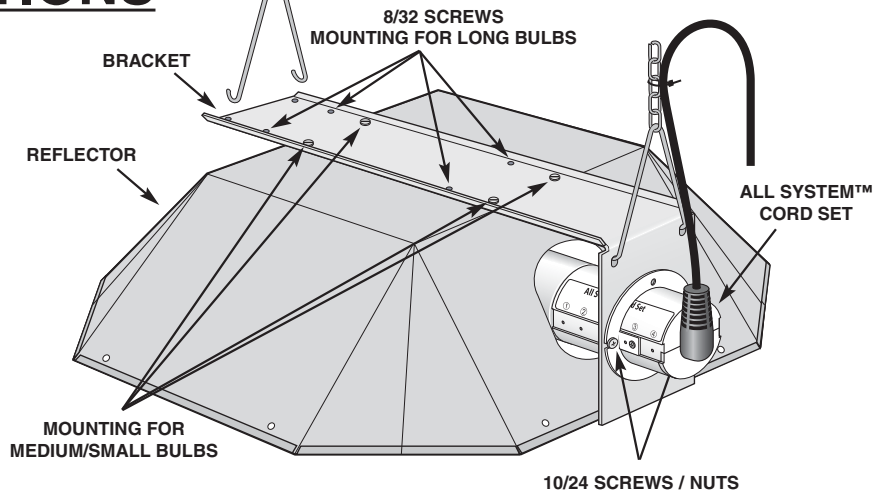


PARTS LIST

- 2 - Hangers
- 1 - Cable Tie
- 3 - 10/24 Slotted Hex Head Screws
- 2 - 10/24 Lock Nuts
- 4 - 8/32 Slotted Hex Head Screws
- 4 - 8/32 Lock Nuts

RECOMMENDED TOOLS

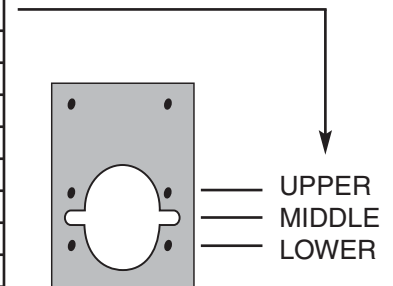
- Slotted Screw Driver
- Pliers



CAUTION : Be careful of sharp edges!

1) Select the proper set of mounting holes from the chart below and attach bracket to top of reflector using (4) 8/32 screws and lock nuts. Tighten with pliers.

Type of Bulbs	Use set of Bracket Mounting Holes For:	Cord Set Mounting Holes
HPS 1000 W	Long Bulbs	Lower
HPS 940 W conversion	Long Bulbs	Lower
All BT56 Jackets	Long Bulbs	Lower
MH 1000 W/ MH 400W/ BT37	Small/Medium Bulbs	Middle
MH 400 W	Small/Medium Bulbs	Middle
HPS 600 W	Small/Medium Bulbs	Upper
HPS 430 W	Small/Medium Bulbs	Upper
HPS 400 W	Small/Medium Bulbs	Upper
HPS 250 W	Small/Medium Bulbs	Upper
MH 250 W	Small/Medium Bulbs	Middle



- 2) After checking the chart above, mount the cord set mounting disc into the proper set of holes using 10/24 screws and lock nuts. Tighten securely.
- 3) Use the fixture hooks to hang the fixture as per the illustration above.
- 4) Use cable tie to attach cord to hanging chain to route cord up and away from fixture.

OPTIONAL PRO SYSTEM LENS ASSEMBLY INSTRUCTIONS

CAUTION: BE CAREFUL OF SHARP EDGES!

PARTS:

- 6 - Screws
- 6 - Cap Nuts
- 2 - Self Tapping Screws

RECOMMENDED TOOLS:

- Philips Screwdriver
- Pliers

- STEP 1:** Remove the 4 aluminum lens holder clips from the cardboard packaging.
- STEP 2:** Attach the three lens holder clips closest to the socket assembly using the 6 screws and dome shaped cap nuts. Secure with screwdriver and pliers.
- STEP 3:** Slide the lens into place, and then attach the final bracket with the remaining screws. Do not over-tighten, as this may strip the aluminum.

