

FIGURE 1

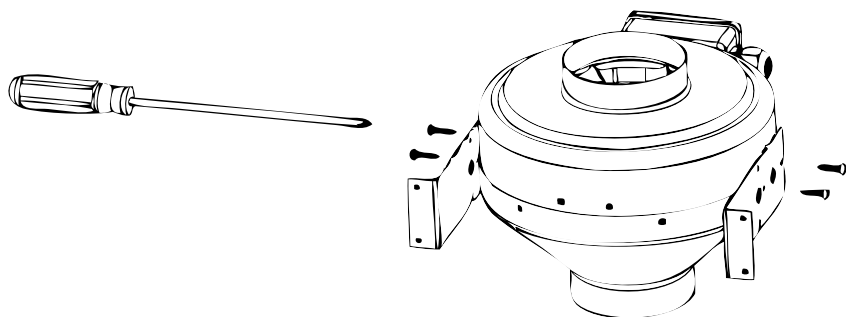
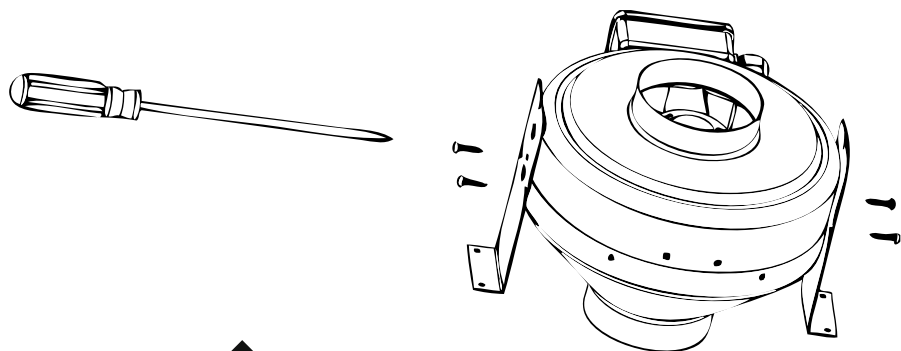


FIGURE 2



ACTIVE AIR™

IN-LINE DUCT FANS



5
year warranty

READ AND SAVE THESE INSTRUCTIONS

CAUTION: Before carrying out any maintenance or servicing, ensure the unit is disconnected from the main supply. **FOR GENERAL VENTILATION USE ONLY. DO NOT USE TO EXHAUST HAZARDOUS OR EXPLOSIVE VAPOURS.**

WARNING – TO REDUCE THE RISK OF FIRE, ELECTRICAL SHOCK, OR INJURY TO PERSONS, OBSERVE THE FOLLOWING:

- a) Use this unit only in the manner intended by the manufacturer. If you have questions, contact the manufacturer.
- b) AA fans are designed for use in up to 95% relative humidity. They are not humidify. The fan is not suitable for corrosive or explosive atmospheres.
- c) Before servicing or cleaning unit, switch power off at service panel and lock the service disconnecting means to prevent power from being switched on accidentally. When the service means cannot be locked, securely fasten a prominent warning device such as a tag to the service panel.
- d) Installation work and electrical wiring must be done by a qualified person(s) in accordance with all applicable codes and standards, including fire-rated construction.
- e) When cutting or drilling into wall or ceiling, do not damage electrical wiring and other hidden utilities.
- f) Ducted fans must always be vented to the outdoors.
- g) **NEVER** place a switch where it can be reached from a tub or shower.
- h) To reduce the risk of electrical shock, do not expose to water or rain.
- i) This unit has an unguarded impeller. Do not use in locations readily accessible to people or animals.

WARNING – The fan must be isolated from the power supply during installation and maintenance. The fan must be earthed in accordance with the local regulations.

INSTRUCTIONS:

- a) Upon receipt, the fan equipment should be visually inspected to check for any damage. Ensure that the impeller is free to rotate.
- b) If there are any queries concerning the fan equipment, HYDROFARM should be contacted prior to the installation.
- c) Use the mounting brackets supplied with the HYDROFARM fan to fix the fan in the desired position to suit the application, see FIGURE 1& 2 on reverse side for different mounting options. (The fan can be mounted at any angle.)
- d) Check the details on the motor rating plate to ensure that the correct power supply (voltage, frequency and phase) is available.
- e) An incorrect power supply will lead to permanent damage to the fan motor.
- f) Refer to the appropriate wiring diagram. Ensure that all earth connections are made.
- g) Means for electrical disconnection must be incorporated in the wiring installation in accordance with the relevant wiring and electrical regulations.

WARNING – This fan is fitted with a non self-resetting thermal cut-out which switches the fan off in the event of a fault condition. To reset, turn the power off for one minute, then back on. Only a suitably qualified and competent person may carry out maintenance after the electrical supply has been isolated.

MAINTENANCE:

All **AA** series in-line duct fans incorporate sealed for life bearings and therefore do not require and lubrication. We would recommend inspection of the product at least once every twelve (12) months to ensure that the motor, fan blades, and supporting guards, are clean. All fastenings should be checked for tightness. In addition, all rotating items should be checked. To inspect the unit, disconnect from electrical supply and remove from ducting. If any debris is evident on the impeller, clean with a damp (not wet) cloth. **DO NOT USE** any detergents or abrasive materials for cleaning.