

EMILY'S GARDEN™

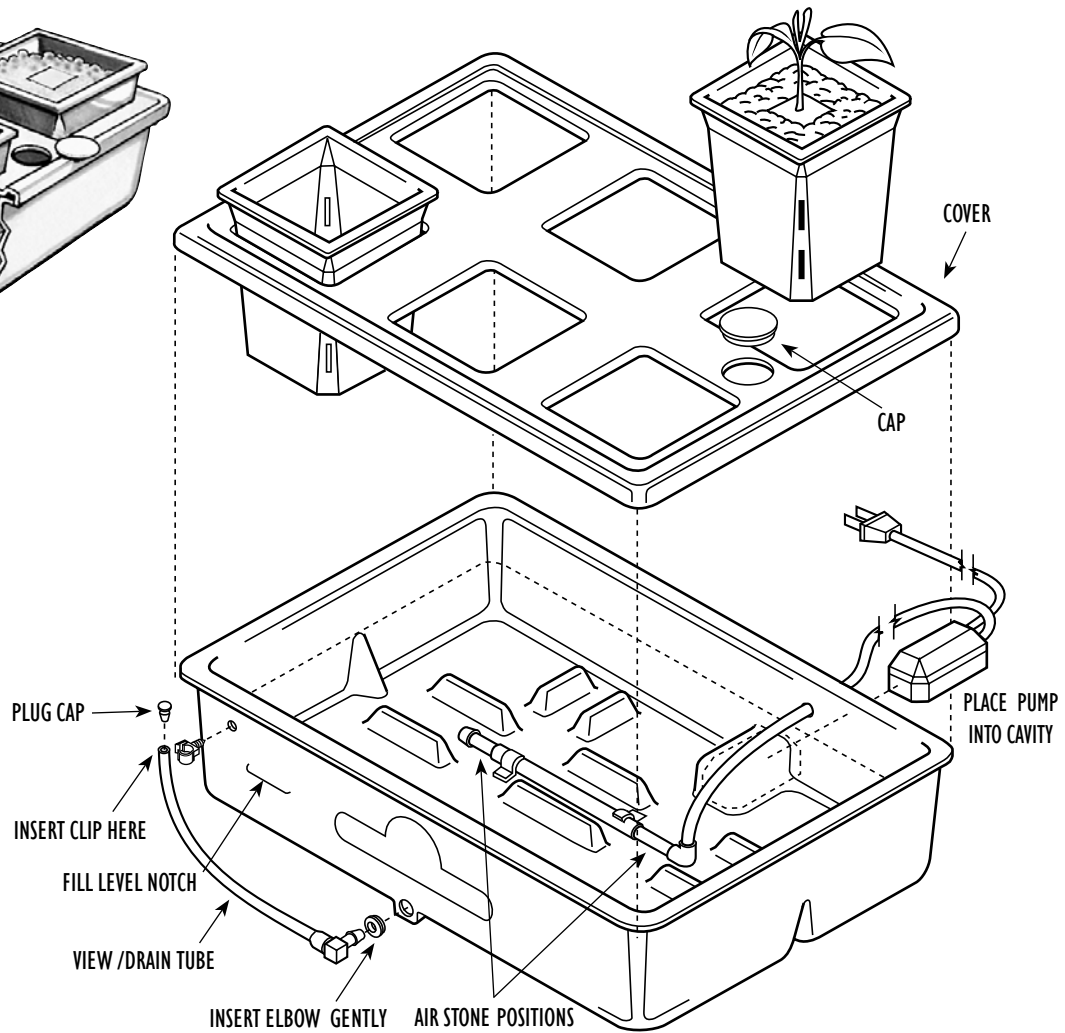


parts list

- Garden Tray
- Cover
- Growing Medium
- Six Planters

component bag

- Dual Air Stone Assembly
- Air Pump
- Nutrient
- Starter Cubes
- Six Moisture Mats
- Cover Cap
- View / Drain Tube Assembly
- 2 Replacement Air Stones
- pH Test Kit



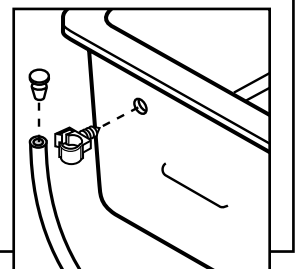
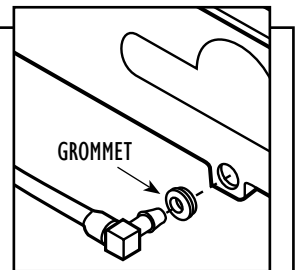
emily's assembly

INSTALLING YOUR AIR PUMP AND AIR STONES

- 1) Feed the black air pump tubing into the hole from inside the tray.
- 2) Connect the air tube to the pump.
- 3) Carefully install the air pump by sticking the pump into the cavity as shown. Center the pump in the cavity, making sure that the air tube stays connected to the pump.
- 4) Lay the air stone assembly into the tray as shown, sliding the tubing (not the air stones) under the hold down clips. The air stones should be positioned at the points shown in the illustration.

INSTALLING THE VIEW / DRAIN TUBE (if not already installed)

- 1) Work the rubber grommet for the elbow into the hole gently, making sure that it is evenly seated on both sides.
- 2) Gently rotate the elbow in through the grommet. Double check to make sure the grommet remains evenly seated on both sides.
- 3) Insert clip into upper reservoir hole and clip the view/drain tube into it. Put the plug into tube after filling the reservoir.
- 4) Place the cover on the garden tray with the cover cap as shown.



RINSING THE HYDROTON IN THE PLANTERS

- 1) Pour the hydroton into the planters, filling them *half way*.
- 2) Run water through the rock to rinse out any sediment.
- 3) Insert the moisture mat strips down into the rock to the base of the planters.
- 4) Holding the moisture mat up in the middle, fill the rest of the planters with the remaining rock.
- 5) Rinse the rock in the planters again.
- 6) Set the planters into the Emily's Garden.

SPROUTING SEEDS & PLANTING SEEDLINGS

When you're ready to plant your seeds, dip starter cubes into water to completely saturate them. Place one or two seeds directly into each starter cube.

Keep starter cubes lightly moistened, in a propagation tray, until white roots begin to sprout from the cube.

When roots begin to show, you may now plant your starter cubes. The base of the cube should be in contact with the moisture mat. Then fill in around the cube with aggregate. The top of the starter cube should be one layer of rock below the surface.

To plant a store bought seedling, place the seedling (with roots and planting medium intact), into the aggregate so that it is touching the moisture mat. Gently pour aggregate around the seedling to fill in.

Be sure to plant seedlings so that the base of their stem is at the same level as the aggregate surface.

NUTRIENT SOLUTION SCHEDULE

To initially fill your reservoir, premix about 2 gallons of nutrient solution at 1/2 teaspoon per gallon of water. Pour it down through the planters filling the reservoir to the fill level notch. Put the white, 2" cap on the Emily cover.

Plug in your pump, and let it run 24 hours per day.

The nutrient solution should be checked every other day or so and maintained at about 2" to 2-1/2" deep in the tray — **NO DEEPER!**

To check the solution level, look at the curved view/drain tube. When adding nutrient solution is necessary, premix at 1/2 teaspoon per gallon of water.

After one month and each month thereafter, the reservoir should be drained and refilled with fresh nutrient solution (1 teaspoon per gallon). The reservoir needs to be drained and refilled once a month. Pour the nutrient solution down through the planters when refilling.



To drain old solution, use a plastic tub or container. Pull down the view/drain tube from its holder and let it drain into the container. Replace tube and refill with new solution as described above. Re-plug the view tube after refilling.

Over time, your airstones may not bubble as vigorously due to dirt or film clogging the pores. To clean, remove the entire airstone assembly, disassemble and soak airstone (blue pieces) only in a 10% chlorine bleach solution (10% bleach, 90% water). Use an old toothbrush to gently scrub the airstones. **We recommend this be done during your nutrient changes.** Reassemble and replace.

If your plants are not looking well, you may need to check your pH. pH is the measure of how alkaline or acidic your solution is. Plants do best when the pH is between 6-7, slightly acid to neutral. Check the pH of the nutrient solution, not just the plain tap water. When solution is out of this range, the plants may have a hard time absorbing nutrients. You can check your pH with a pH test kit or a pH pen. For these items plus adjusters, see your nearest Hydrofarm retailer.

TEMPERATURE AND AIR CIRCULATION

Most plants prefer temperatures, between 60 and 90 degrees, with 75-80 degrees being closer to optimum. Using a fan will keep temperatures down when it's too hot, strengthen the plants, and bring fresh air if you're growing in an enclosed area. Don't blow them over, but give them a gentle breeze for part of the day. Make sure you also have plenty of fresh air circulation.

LIGHTING

The more light you give your plants, the faster they will grow. If you're growing outdoors, give them good southern exposure during the growing season in your area. If your growing season is short with cold temperatures, it's best to give your plants an early start indoors under our full spectrum fluorescent lights.

Contact your local Hydrofarm retailer for additional guidelines for lighting larger areas. Make sure the walls of the growing area are white or are lined with a highly reflective material such as Mylar; this will help to get more of the light produced to the plants, increasing their growth rate.

G U A R A N T E E

Your Emily's Garden components are guaranteed to work for the original owner for one year. This includes the pump, reservoir, planters and irrigation parts. Nutrient, starter cubes, aggregate and moisture mats are not covered. Save your receipt — a copy is required for all warranty work. If you have a problem, please contact the place of purchase for return authorization and replacement.