

**DANGER Electrocutation Hazard**

Disconnect all power sources before servicing or wiring. For continued protection against electric shock ensure the enclosure is properly grounded at the marked chassis ground terminal. Install all electrical equipment and wiring in accordance with national and local electric codes. For indoor use in dry locations only (0-80% RH non-condensing.) Replace serviceable parts only with those recommended by Agrowtek Inc.

**DANGER Risque d'électrocution**

Débranchez toutes les sources d'alimentation avant l'entretien ou le câblage. Pour une protection continue contre les chocs électriques assurer l'enceinte est correctement reliée à la borne de terre du châssis marquée. Installez tous les équipements électriques et le câblage conformément aux codes électriques nationaux et locaux. Pour une utilisation en intérieur dans des endroits secs seulement (0-80% RH sans condensation.) Remplacer les pièces réparable seulement avec ceux recommandés par Agrowtek Inc.

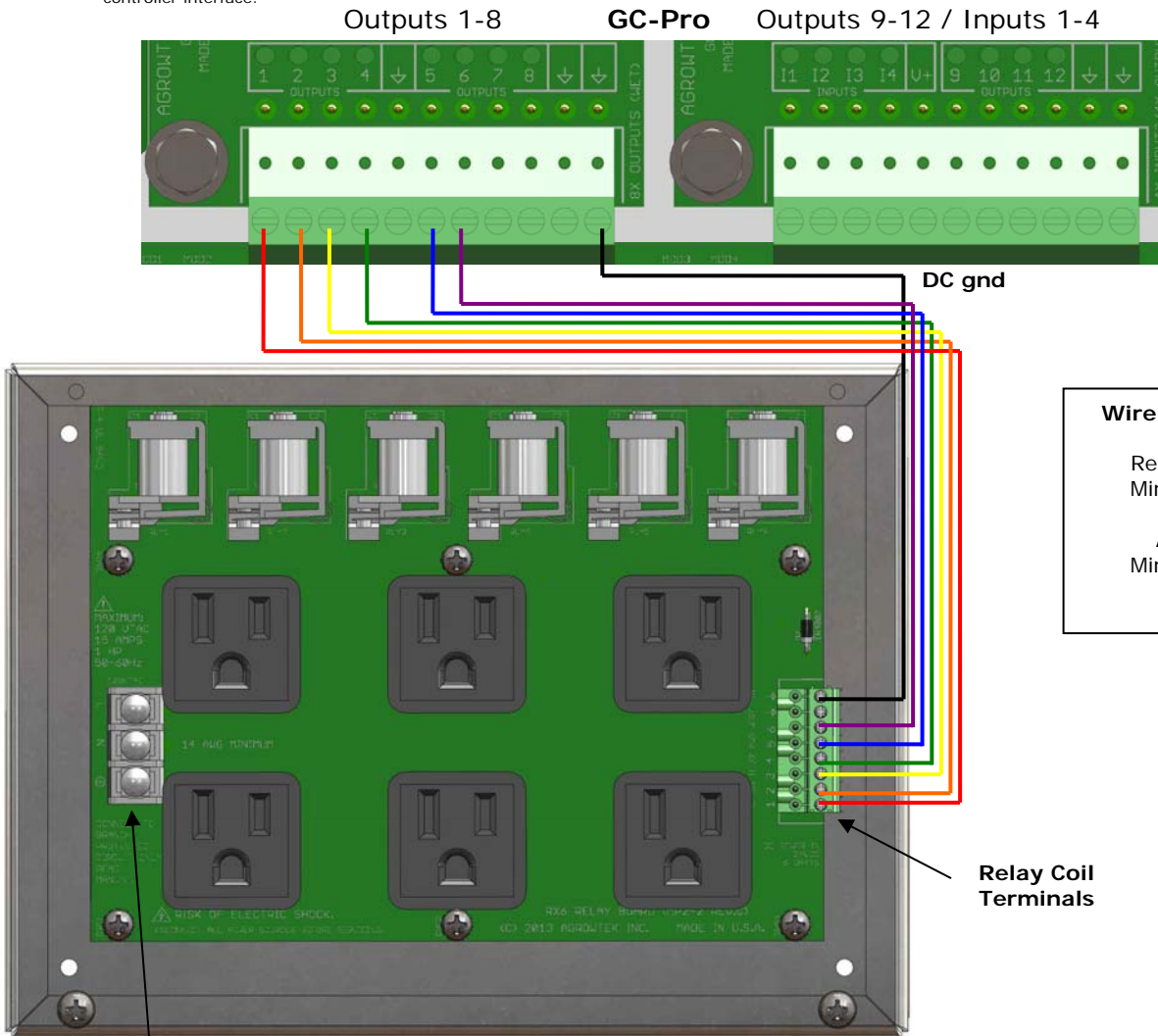
The RX6 relay offers six independently operated outlets to be connected to the Agrowtek GrowControl™ or other 24Vdc controls system for on/off control of plug operated equipment. When 24Vdc is supplied to the relay coil terminal(s,) the normally open load relays will close and supply power to a specific receptacle.

**OUTLET RATINGS:** VOLTS: 120VAC CURRENT: 15A FREQUENCY: 60Hz  
**RELAY COIL POWER INPUT:** VOLTS: 24VDC POWER: 1W PER RELAY, 6W TOTAL FREQUENCY: -  
**INSTRUCTIONS:**

**KEEP THESE INSTRUCTIONS**

Connection to Agrowtek Controller Terminals:

1. Ensure all power is disconnected; remove the front panel from the RX6 relay.
2. "Stop" the controller and disconnect the power from the controller's power supply.
3. Connect the 24Vdc relay coil terminals #1-6 on the RX6 input terminals to the desired output terminals on the controller.
4. Connect the DC ground terminal(s) on the RX6 relay to a DC ground terminal on one of the controller outputs blocks.
5. Connect the AC power input terminals Line and Neutral to a suitable branch-protected circuit; do not interchange L & N.
6. Connect the Ground conductor to the terminal marked with the Earth ground symbol.
7. Re-install the front panel and hand-tighten the screws.
8. Ensure power is off and plug equipment into receptacles on the RX6. Ensure equipment plugs are properly grounded.
9. Re-connect controller and relay panel power supply, place controller into RUN mode and test relay function by manually operating outputs from the controller interface.



**Wire Size Requirements**

Relay Coil Terminals:  
Minimum 22 AWG Cu

AC Power Input:  
Minimum 14 AWG Cu

AC Power Input Terminals

Relay Coil Terminals