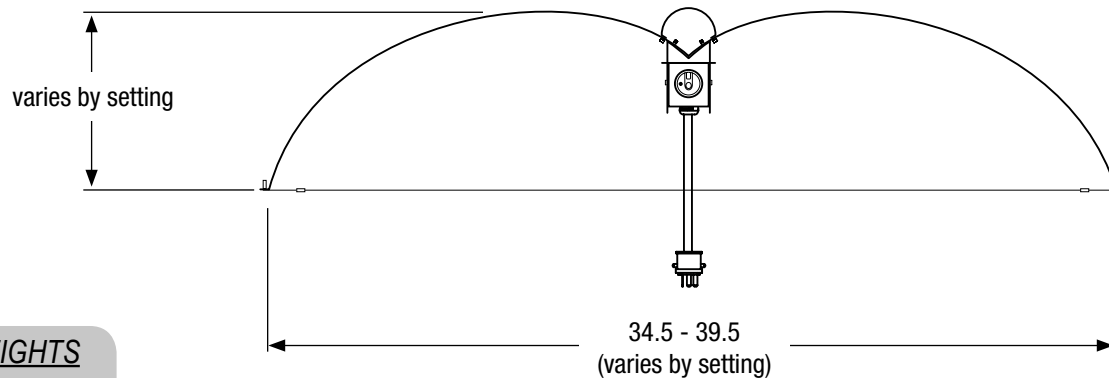
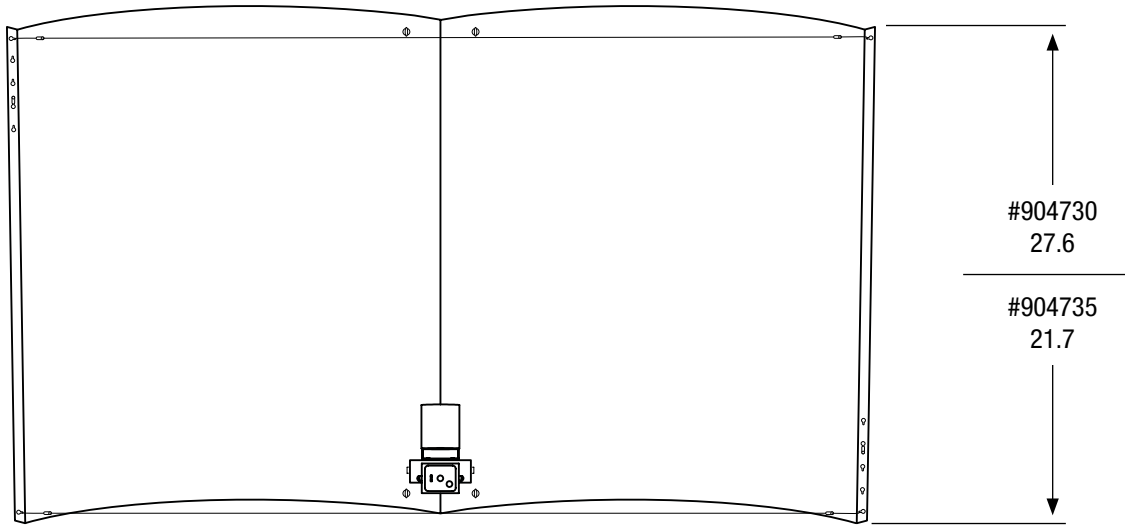


SPECIFICATIONS

Adjust-A-Wings® Enforcer Reflectors

Item #904730 (Large) &
Item #904735 (Medium)



REFLECTOR WEIGHTS

#904730 - 7.2 lbs

#904735 - 4.7 lbs

• = yes

	ETL LISTED
•	NOT ETL LISTED
	AIR-COOLED
	ACCEPTS GLASS
	HINGED GLASS FRAME
	DETACHABLE LAMP CORD
•	600 VOLT RATED CORD
	FABRICATED IN USA*
•	5 YEAR WARRANTY
BALLAST COMPATIBILITY	
•	HPS
•	MH
Max. Wattage: 1000	
LAMP COMPATIBILITY	
•	HPS
•	MH
Max. Wattage: 1000	
LAMP POSITION	
•	HORIZONTAL
	VERTICAL
LAMP SOCKET TYPE	
	INTEGRATED DOUBLE-ENDED
•	INTEGRATED 5KV MOGUL BASE

* with US and globally sourced parts