



Econojet 2 x 2™

Grow large in a small space with the **Econojet 2 x 2™**, the perpetual growth machine.

The Econojet 2 x 2 provides an effective and automated method to deliver optimal levels of water, nutrients, and oxygen for rapid growth rates, higher yields, increased nutritional value, and flavors in a 24" x 30" area. Using the Econojet 2 x 2, plants can be grown in your favorite media.

The Econojet 2 x 2 is an Ebb and Flow Hydrogarden that is perfect for propagating plants or nourishing and watering seedlings.



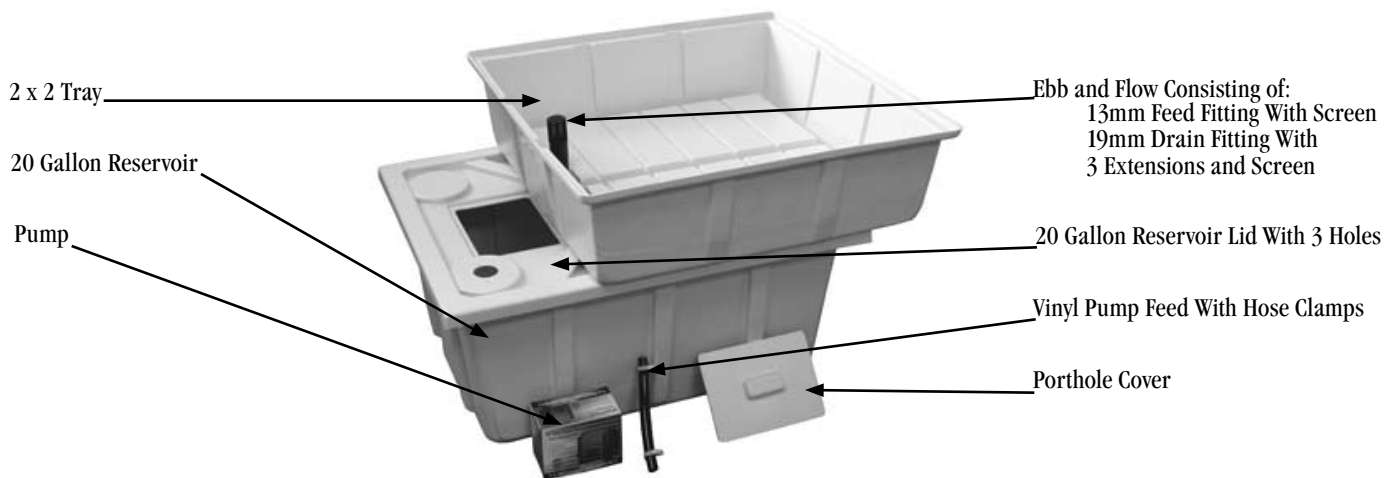
Features:

- Utilizes the Ebb and Flow feed method.

Includes:

- Submersible pump with 2 year manufacturer's warranty
- 20 gallon Res
- 2 x 2 grow tray
- Ebb and Flow Kit

2 x 2 Econojet™ Components and Accessories



NOTE: The Ebb and Flow fittings are already installed in the Tray and Reservoir Lid.

- 1 Remove the reservoir lid from the reservoir. Pull all of the system components out of the reservoir, and use the component list to make sure that you have all the necessary parts.

- 2 Place the pump at the bottom of the reservoir, the pump is fully submersible and will operate at the bottom of the reservoir.

- 3 Install the pump feed onto the outlet side of the pump, use one of the hose clamps to seal the pump feed around the outlet.

- 4 Install the reservoir lid on the top of the reservoir, and align the pump directly underneath the feed fitting.

- 5 Connect the pump to the feed fitting with the vinyl tubing pump feed. Use the remaining hose clamp to secure the tubing around the fitting.

- 6 Bring the pump cord out through the hole in the reservoir lid.

- 7 Fill Reservoir with water. Plug in pump and test the system; look for leaks. If there are none your assembly is complete and you are ready to begin.



Important Pump Maintenance:

Your new system is equipped with a high quality submersible pump, however to insure pump longevity routine maintenance is required. The following maintenance procedures should be followed every 3 - 4 weeks, or if pump performance begins to decrease.

- 1 Disconnect the pump cord from the power outlet and remove from system.
- 2 Remove the main housing off the end of the pump, then rinse the debris out of the housing and prefilter.
- 3 Detach the impeller cover, and slide the impeller and shaft out of the pump.
- 4 At this time use a small brush to clean the impeller, shaft, and inside of the motor housing.
Do not use any soaps or detergents while cleaning
- 5 Slide the shaft back into the motor housing and then install the impeller cover. Make sure that the impeller cover is completely attached.
- 6 Reattach the main housing and reconnect your pump to your system.

Ebb and Flow Instructions

If Using Rockwool:

- 1 Fill reservoir with purified water.
- 2 Add nutrients as recommended per label. For seedlings and transplants, use nutrients at quarter to half normal strength.
- 3 Test pH and adjust to a level of 5.8 - 6.2
- 4 Cut evenly spaced X's per rockwool slab, open up each X and place a rockwool propagation block in it. Install a drip line into the corner of each block.
- 5 Turn the pump on and fully saturate the rockwool slabs.
- 6 At this time you will need to Refill the reservoir with water and nutrients.
- 7 Test pH and adjust to a level of 5.8 - 6.2
- 8 Set the pump to water 2 - 5 times per day, 15 minutes to 30 minutes per watering.

If Using Soilless Mix and Starter Plugs:

- 1 Fill reservoir with purified water.
- 2 Add nutrients as recommended per label. For seedlings and transplants, use nutrients at quarter to half normal strength.
- 3 Test pH and adjust to a level of 5.8 - 6.2
- 4 Fill pots with soilless mix, such as Ready Gro, and fully saturate with nutrient mix.
- 5 Plant starter cubes in the soilless mix.

NOTE: At this time you will need to Refill the reservoir with water and nutrients.

- 6 Test pH and adjust to a level of 5.8 - 6.2
- 7 Set the pump to water 2 - 5 times per day, 15 minutes to 30 minutes per watering.

Maintenance Procedures

- 1 Replenish water as needed. Add nutrients with additional water if you are using a TDS meter.
- 2 The reservoir needs to be changed periodically, change about every 7 to 21 days.
- 3 Follow nutrient label recommendations for nutrient strength at each growth stage.
- 4 Keep pH adjusted to a range of 5.8 - 6.2

Congratulations!

You have purchased the latest in hydrogardening products from Botanicare. We are proud to offer the highest quality components and plastics to ensure years of successful gardening in the most innovative system ever.

For product support, call your retailer or contact Botanicare, toll free, 1-877-753-0404. Check out our website at www.botanicare.net for a complete list of outstanding products, including the latest in international systems, plastics and plant nutrients.

Consult you local dealer for pricing, or visit us on the web for more information at www.botanicare.net

BOTANICARE

6858 W Chicago St, #3
Chandler, AZ 85226 USA
www.botanicare.net

Toll Free 1 (877) 753 0404
Local (480) 777 2000
Facsimile (480) 777 2015



Econojet 2 x 4™

Grow large in a small space with the **Econojet 2 x 4™**, the perpetual growth machine.

The Econojet 2 x 4 provides an effective and automated method to deliver optimal levels of water, nutrients, and oxygen for rapid growth rates, higher yields, increased nutritional value, and flavors in a 2' x 5' area. Using the Econojet 2 x 4, plants can be grown in your favorite media.

The Econojet 2 x 4 is an Ebb and Flow Hydrogarden that is perfect for propagating plants or nourishing and watering seedlings.

This system is contained within two boxes. Before you start assembling your system; pull all of the parts out of your boxes. Check the system components list and make sure that you have all of the necessary parts.



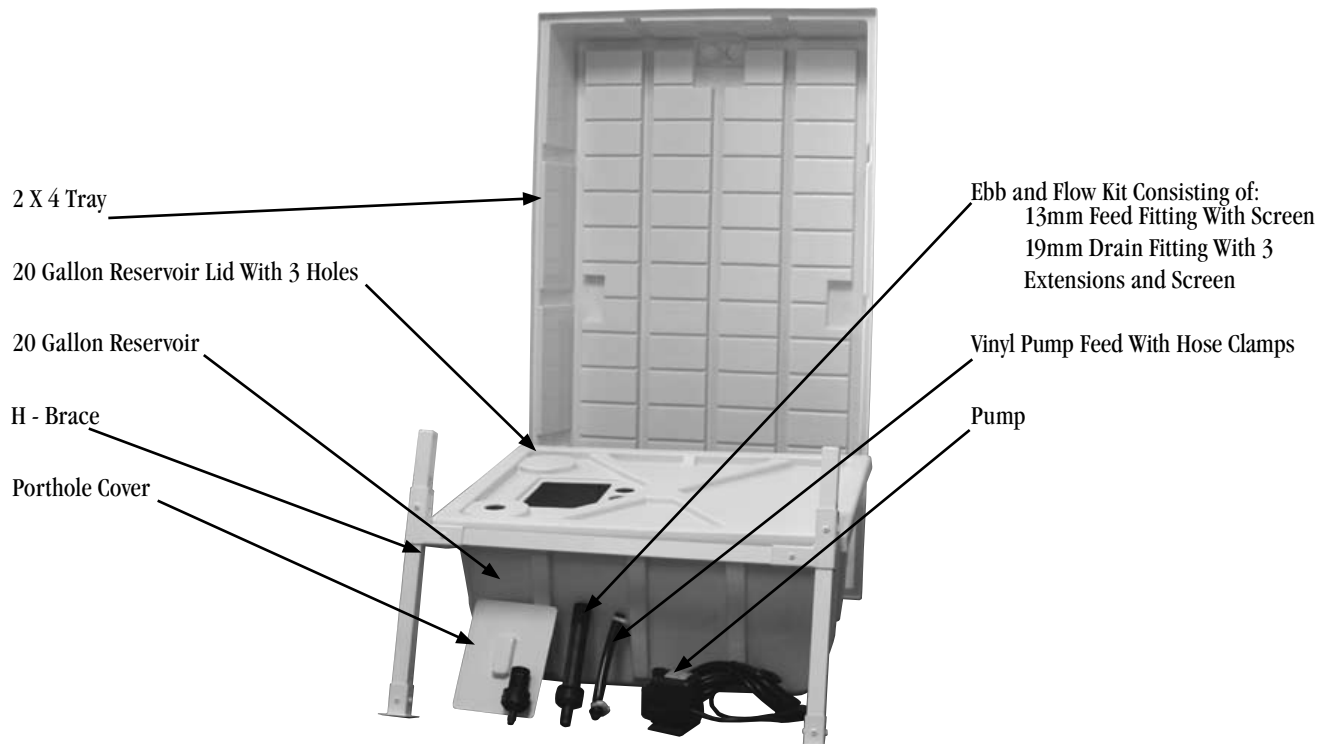
Features:

- Utilizes the Ebb and Flow feed method.

Includes:

- Submersible pump with 2 year manufacturer's warranty
- 20 gallon Res
- 2 x 4 grow tray
- Ebb and Flow Kit
- H - Brace

2 x 4 Econojet™ Components and Accessories



- 1 Begin assembly by installing the feed and drain fittings into the tray and reservoir lid. Start by removing the nuts off of both fittings. Then line the two holes in the tray up with the two holes in the reservoir lid. Insert the feed fitting into the right side holes, making sure that the rubber washer goes on top of tray. Then tighten the nut onto the fitting, and then install the drain fitting in the left side hole. The reservoir lid and the tray should now be connected together.



- 2 Place the pump at the bottom of the reservoir, the pump is fully submersible and will operate at the bottom of the reservoir.

- 3 Install the pump feed onto the outlet side of the pump, use one of the hose clamps to seal the pump feed around the outlet.

- 4 Install the reservoir lid on the top of the reservoir, and use the H Brace to support the far end of the tray.



- 5 Align the pump directly underneath the feed fitting, and connect the open end of the pump feed to the feed fitting in the reservoir lid. Use the remaining hose clamp to secure the tubing around the fitting.

- 6 Bring the pump cord out through the open hole in the reservoir lid.

- 7 Fill Reservoir with water. Plug in pump and test the system; look for leaks. If there are none your assembly is complete and you are ready to begin.

- 8 Fill Reservoir with water. Plug in pump and test.



Important Pump Maintenance:

Your new system is equipped with a high quality submersible pump, however to insure pump longevity routine maintenance is required. The following maintenance procedures should be followed every 3 - 4 weeks, or if pump performance begins to decrease.

- 1 Disconnect the pump cord from the power outlet and remove from system.
- 2 Remove the main housing off the end of the pump, then rinse the debris out of the housing and prefilter.
- 3 Detach the impeller cover, and slide the impeller and shaft out of the pump.
- 4 At this time use a small brush to clean the impeller, shaft, and inside of the motor housing.
Do not use any soaps or detergents while cleaning
- 5 Slide the shaft back into the motor housing and then install the impeller cover. Make sure that the impeller cover is completely attached.
- 6 Reattach the main housing and reconnect your pump to your system.

Ebb and Flow Instructions

If Using Rockwool:

- 1 Fill reservoir with purified water.
- 2 Add nutrients as recommended per label. For seedlings and transplants, use nutrients at quarter to half normal strength.
- 3 Test pH and adjust to a level of 5.8 - 6.2
- 4 Cut evenly spaced X's per rockwool slab, open up each X and place a rockwool propagation block in it. Install a drip line into the corner of each block.
- 5 Turn the pump on and fully saturate the rockwool slabs.
- 6 At this time you will need to Refill the reservoir with water and nutrients.
- 7 Test pH and adjust to a level of 5.8 - 6.2
- 8 Set the pump to water 2 - 5 times per day, 15 minutes to 30 minutes per watering.

If Using Soilless Mix and Starter Plugs:

- 1 Fill reservoir with purified water.
- 2 Add nutrients as recommended per label. For seedlings and transplants, use nutrients at quarter to half normal strength.
- 3 Test pH and adjust to a level of 5.8 - 6.2
- 4 Fill pots with soilless mix, such as Ready Gro, and fully saturate with nutrient mix.
- 5 Plant starter cubes in the soilless mix.

NOTE: At this time you will need to Refill the reservoir with water and nutrients.

- 6 Test pH and adjust to a level of 5.8 - 6.2
- 7 Set the pump to water 2 - 5 times per day, 15 minutes to 30 minutes per watering.

Maintenance Procedures

- 1 Replenish water as needed. Add nutrients with additional water if you are using a TDS meter.
- 2 The reservoir needs to be changed periodically, change about every 7 to 21 days.
- 3 Follow nutrient label recommendations for nutrient strength at each growth stage.
- 4 Keep pH adjusted to a range of 5.8 - 6.2

Congratulations!

You have purchased the latest in hydrogardening products from Botanicare. We are proud to offer the highest quality components and plastics to ensure years of successful gardening in the most innovative system ever.

For product support, call your retailer or contact Botanicare, toll free, 1-877-753-0404. Check out our website at www.botanicare.net for a complete list of outstanding products, including the latest in international systems, plastics and plant nutrients.

Consult your local dealer for pricing, or visit us on the web for more information at www.botanicare.net

BOTANICARE

6858 W Chicago St, #3
Chandler, AZ 85226 USA
www.botanicare.net

Toll Free 1 (877) 753 0404
Local (480) 777 2000
Facsimile (480) 777 2015



Econojet 3 x 3™

Grow large in a small space with the **Econojet 3 x 3™**, the perpetual growth machine.

The Econojet 3 x 3 provides an effective and automated method to deliver optimal levels of water, nutrients, and oxygen for rapid growth rates, higher yields, increased nutritional value, and flavors in a 36" x 42" area. Using the Econojet 3 x 3, plants can be grown in your favorite media.

The Econojet 3 x 3 is an Ebb and Flow Hydrogarden that is perfect for propagating plants or nourishing and watering seedlings.



Features:

- Utilizes the Ebb and Flow feed method.

Includes:

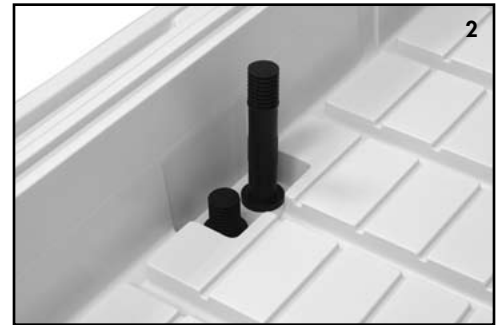
- Submersible pump with 2 year manufacturer's warranty
- 40 gallon Res
- 3 x 3 grow tray
- Ebb and Flow Kit

3 x 3 Econojet™ Components



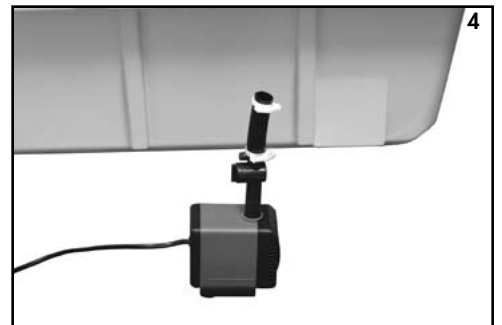
- 1 Remove the reservoir lid from the reservoir. Pull all of the system components out of the reservoir, and use the component list to make sure that you have all the necessary parts.

- 2 Begin assembly by installing the feed and drain fittings into the tray and reservoir lid. Start by removing the nuts off of both fittings. Then line the two holes in the tray up with the two holes in the reservoir lid. Insert the feed fitting into the right side holes, making sure that the rubber washer goes on top of tray. Then tighten the nut onto the fitting, and then install the drain fitting in the left side hole. The reservoir lid and the tray should now be connected together.



- 3 Place the pump at the bottom of the reservoir, the pump is fully submersible and will operate at the bottom of the reservoir.

- 4 Install the pump feed onto the outlet side of the pump, use one of the hose clamps to seal the pump feed around the outlet.



- 5 Install the reservoir lid on the top of the reservoir, and align the pump directly underneath the feed fitting.

- 6 Connect the pump to the feed fitting with the vinyl tubing pump feed. Use the remaining hose clamp to secure the tubing around the fitting.



- 7 Bring the pump cord out through the hole in the reservoir lid.

- 8 Fill Reservoir with water. Plug in pump and test the system; look for leaks. If there are none your assembly is complete and you are ready to begin.



Important Pump Maintenance:

Your new system is equipped with a high quality submersible pump, however to insure pump longevity routine maintenance is required. The following maintenance procedures should be followed every 3 - 4 weeks, or if pump performance begins to decrease.

- 1 Disconnect the pump cord from the power outlet and remove from system.
- 2 Remove the main housing off the end of the pump, then rinse the debris out of the housing and prefilter.
- 3 Detach the impeller cover, and slide the impeller and shaft out of the pump.
- 4 At this time use a small brush to clean the impeller, shaft, and inside of the motor housing.
Do not use any soaps or detergents while cleaning
- 5 Slide the shaft back into the motor housing and then install the impeller cover. Make sure that the impeller cover is completely attached.
- 6 Reattach the main housing and reconnect your pump to your system.

Ebb and Flow Instructions

If Using Rockwool:

- 1 Fill reservoir with purified water.
- 2 Add nutrients as recommended per label. For seedlings and transplants, use nutrients at quarter to half normal strength.
- 3 Test pH and adjust to a level of 5.8 - 6.2
- 4 Cut evenly spaced X's per rockwool slab, open up each X and place a rockwool propagation block in it. Install a drip line into the corner of each block.
- 5 Turn the pump on and fully saturate the rockwool slabs.
- 6 At this time you will need to Refill the reservoir with water and nutrients.
- 7 Test pH and adjust to a level of 5.8 - 6.2
- 8 Set the pump to water 2 - 5 times per day, 15 minutes to 30 minutes per watering.

If Using Soilless Mix and Starter Plugs:

- 1 Fill reservoir with purified water.
- 2 Add nutrients as recommended per label. For seedlings and transplants, use nutrients at quarter to half normal strength.
- 3 Test pH and adjust to a level of 5.8 - 6.2
- 4 Fill pots with soilless mix, such as Ready Gro, and fully saturate with nutrient mix.
- 5 Plant starter cubes in the soilless mix.

NOTE: At this time you will need to Refill the reservoir with water and nutrients.

- 6 Test pH and adjust to a level of 5.8 - 6.2
- 7 Set the pump to water 2 - 5 times per day, 15 minutes to 30 minutes per watering.

Maintenance Procedures

- 1 Replenish water as needed. Add nutrients with additional water if you are using a TDS meter.
- 2 The reservoir needs to be changed periodically, change about every 7 to 21 days.
- 3 Follow nutrient label recommendations for nutrient strength at each growth stage.
- 4 Keep pH adjusted to a range of 5.8 - 6.2

Congratulations!

You have purchased the latest in hydrogardening products from Botanicare. We are proud to offer the highest quality components and plastics to ensure years of successful gardening in the most innovative system ever.

For product support, call your retailer or contact Botanicare, toll free, 1-877-753-0404. Check out our website at www.botanicare.net for a complete list of outstanding products, including the latest in international systems, plastics and plant nutrients.

Consult you local dealer for pricing, or visit us on the web for more information at www.botanicare.net

BOTANICARE

6858 W Chicago St, #3
Chandler, AZ 85226 USA
www.botanicare.net

Toll Free 1 (877) 753 0404
Local (480) 777 2000
Facsimile (480) 777 2015



Econojet 3 x 3 or 4 x 4™

With Bench and 40 Gallon Reservoir

Grow large in a small space with the Econojet 3 x 3 or 4 x 4™, the perpetual growth machine.

The Econojet 3 x 3 or 4 x 4 provides an effective and automated method to deliver optimal levels of water, nutrients, and oxygen for rapid growth rates, higher yields, increased nutritional value, and flavors in a 3' - 4' area.

Using the Econojet 3 x 3 or 4 x 4, plants can be grown in your favorite media.

The Econojet 3 x 3 or 4 x 4 is an Ebb and Flow Hydrogarden that is perfect for propagating plants or nourishing and watering seedlings.



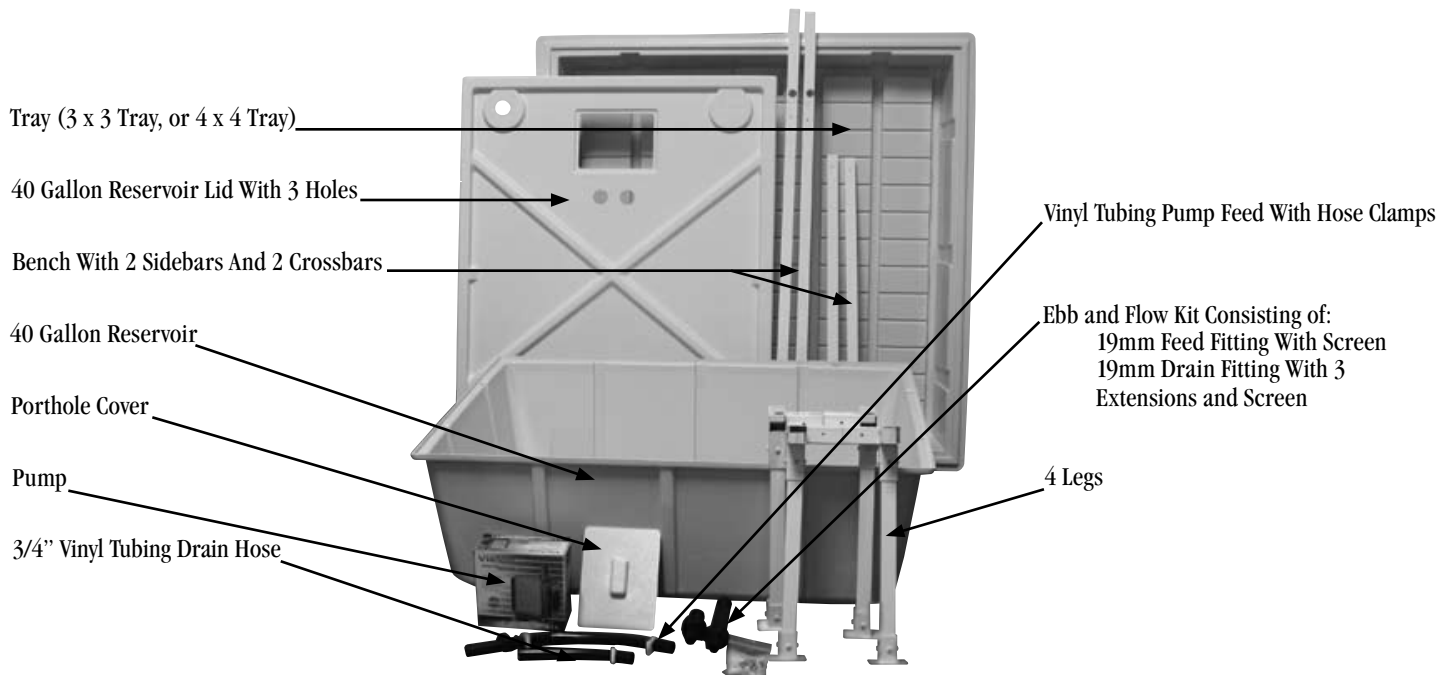
Features:

- Utilizes the Ebb and Flow feed method.

Includes:

- Submersible pump with 2 year manufacturer's warranty
- 40 gallon Res
- 3 x 3 or 4 x 4 grow tray
- Ebb and Flow Kit
- Aluminum Bench

3 x 3 or 4 x 4 Econojet™ Components



1 Remove the reservoir lid from the reservoir. Pull all of the system components out of the reservoir, use the component list to make sure that you have all the necessary parts.

2 Locate the four legs from inside their box, notice that the legs are color coded and labeled.

Red = Front right leg

Blue = Back right leg

Yellow = Front left leg

Green = Back left leg

The sidebars are also labeled to show the position of each leg.

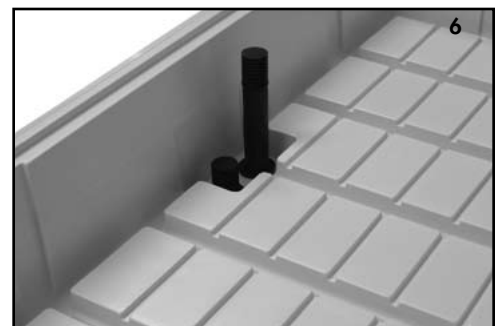
3 Slide the open end of the legs onto the sidebars; use the labels and markings on the sidebars to position each leg. Install a screw in each leg to connect it to the sidebars.



4 Insert the crossbars into the closed end of the connectors; this will link together the 2 sidebars.

5 Make sure that the bench is square and that all of the screw holes line up, then install the remaining screws into each hole in your bench.

6 Install the feed and drain fittings into the tray. The drain outlet will be installed in the left side hole, and the feed fitting in the right side hole. Make sure that the rubber washers are installed on top of the tray, and that the fittings are firmly tightened.



7 Slide the drain hose onto the drain fitting; this will direct the draining water from the tray into the reservoir.

- 8 Install the pump feed onto the outlet side of the pump, use one of the hose clamps to seal the pump feed around the outlet.

- 9 Place the pump at the bottom of the reservoir, the pump is fully submersible and will operate at the bottom of the reservoir.

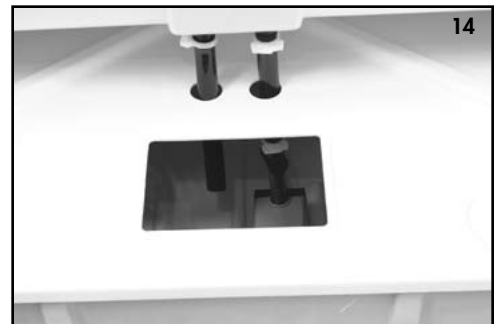
- 10 Install the reservoir lid on top of the reservoir.

- 11 There are three holes in the reservoir lid, the feed and drain holes are located towards the center, the feed side hole is on the right and the drain side hole is on the left. Align the pump directly underneath the feed side hole, and then pull the pump feed up through this hole.

- 12 Place the tray on top of the bench, and then slide the reservoir underneath the bench.

- 13 Align the feed and drain holes in the reservoir lid with the fittings in the tray.

- 14 Push the drain hose into the drain hole in the reservoir lid, and then connect the pump feed tubing to the feed fitting. Use the remaining hose clamp to secure the tubing around the fitting.



- 15 Bring the pump cord out through the hole in the reservoir lid.

- 16 Fill Reservoir with water. Plug in pump and test the system; look for leaks. If there are none your assembly is complete and you are ready to begin.

Important Pump Maintenance:

Your new system is equipped with a high quality submersible pump, however to insure pump longevity routine maintenance is required. The following maintenance procedures should be followed every 3 -4 weeks, or if pump performance begins to decrease.

- 1 Disconnect the pump cord from the power outlet and remove from system.
- 2 Remove the main housing off the end of the pump, then rinse the debris out of the housing and prefilter.
- 3 Detach the impeller cover, and slide the impeller and shaft out of the pump.
- 4 At this time use a small brush to clean the impeller, shaft, and inside of the motor housing.
***Do not use any soaps or detergents while cleaning**
- 5 Slide the shaft back into the motor housing and then install the impeller cover. Make sure that the impeller cover is completely attached.
- 6 Reattach the main housing and reconnect your pump to your system.

Ebb and Flow Instructions

If Using Rockwool:

- 1 Fill reservoir with purified water.
- 2 Add nutrients as recommended per label. For seedlings and transplants, use nutrients at quarter to half normal strength.
- 3 Test pH and adjust to a level of 5.8 - 6.2
- 4 Cut evenly spaced X's per rockwool slab, open up each X and place a rockwool propagation block in it. Install a drip line into the corner of each block.
- 5 Turn the pump on and fully saturate the rockwool slabs.
- 6 At this time you will need to Refill the reservoir with water and nutrients.
- 7 Test pH and adjust to a level of 5.8 - 6.2
- 8 Set the pump to water 2 - 5 times per day, 15 minutes to 30 minutes per watering.

If Using Soilless Mix and Starter Plugs:

- 1 Fill reservoir with purified water.
- 2 Add nutrients as recommended per label. For seedlings and transplants, use nutrients at quarter to half normal strength.
- 3 Test pH and adjust to a level of 5.8 - 6.2
- 4 Fill pots with soilless mix, such as Ready Gro, and fully saturate with nutrient mix.
- 5 Plant starter cubes in the soilless mix.

NOTE: At this time you will need to Refill the reservoir with water and nutrients.

- 6 Test pH and adjust to a level of 5.8 - 6.2
- 7 Set the pump to water 2 - 5 times per day, 15 minutes to 30 minutes per watering.

Maintenance Procedures

- 1 Replenish water as needed. Add nutrients with additional water if you are using a TDS meter.
- 2 The reservoir needs to be changed periodically, change about every 7 to 21 days.
- 3 Follow nutrient label recommendations for nutrient strength at each growth stage.
- 4 Keep pH adjusted to a range of 5.8 - 6.2

Congratulations!

You have purchased the latest in hydrogardening products from Botanicare. We are proud to offer the highest quality components and plastics to ensure years of successful gardening in the most innovative system ever.

For product support, call your retailer or contact Botanicare, toll free, 1-877-753-0404. Check out our website at www.botanicare.net for a complete list of outstanding products, including the latest in international systems, plastics and plant nutrients.

Consult your local dealer for pricing, or visit us on the web for more information at www.botanicare.net

BOTANICARE

6858 W Chicago St, #3
Chandler, AZ 85226 USA
www.botanicare.net

Toll Free 1 (877) 753 0404
Local (480) 777 2000
Facsimile (480) 777 2015

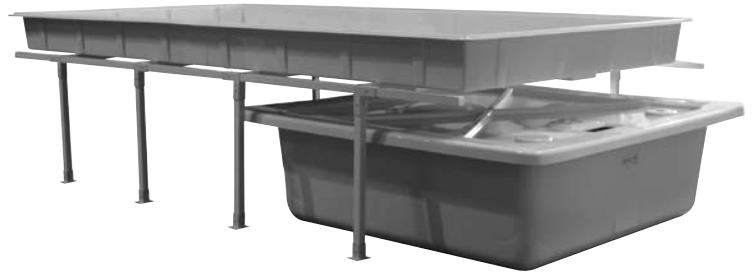


Econojet 4 x 8™

Grow large in a small space with the **Econojet 4 x 8™**, the perpetual growth machine.

The Econojet 4 x 8 provides an effective and automated method to deliver optimal levels of water, nutrients, and oxygen for rapid growth rates, higher yields, increased nutritional value, and flavors in a 4' x 9' area. Using the Econojet 4 x 8, plants can be grown in your favorite media.

The Econojet 4 x 8 is an Ebb and Flow Hydrogarden that is perfect for propagating plants or nourishing and watering seedlings.



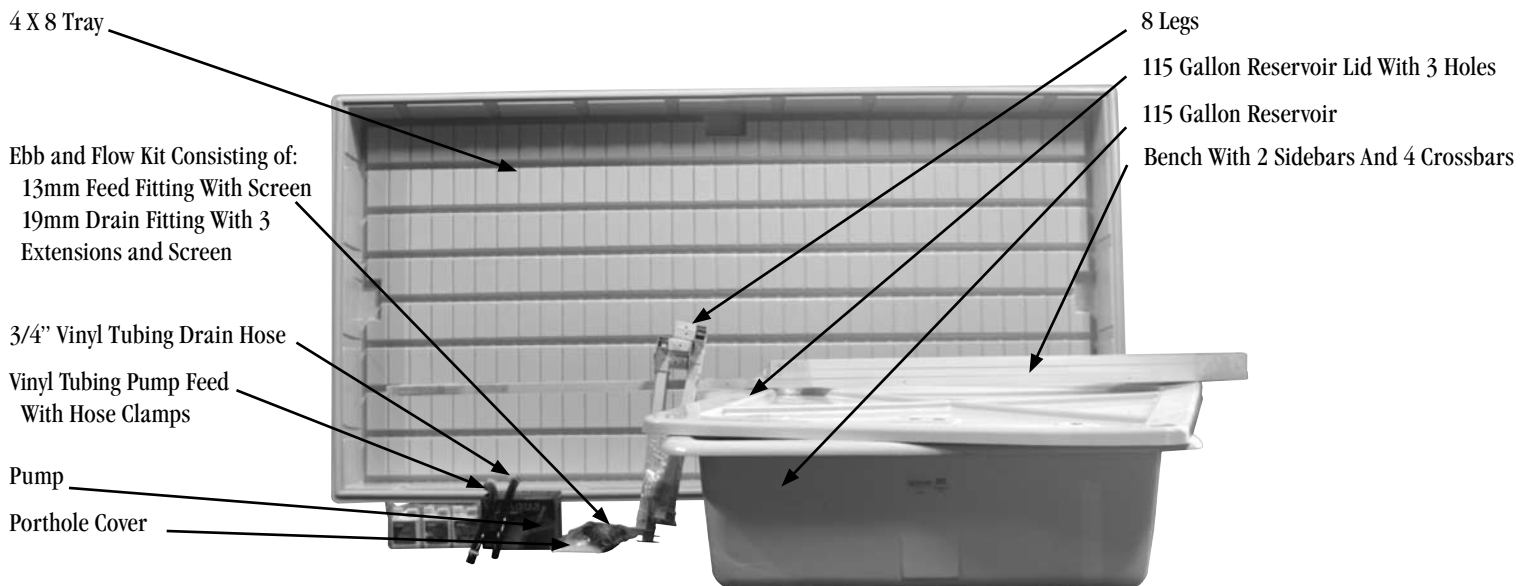
Features:

- Utilizes the Ebb and Flow feed method.

Includes:

- Submersible pump with 2 year manufacturer's warranty
- 115 gallon Res
- 4 x 8 grow tray
- Ebb and Flow Kit
- 4 x 8 Bench

4 x 8 Econojet™ Components and Accessories



- 1 Remove the reservoir lid from the reservoir. Pull all of the system components out of the reservoir, use the component list to make sure that you have all the necessary parts.
- 2 Locate the eight legs from inside their box, notice that the legs are color coded and labeled. The sidebars are also labeled to show the position of each leg.
- 3 Slide the open end of the legs onto the sidebars; use the labels and markings on the sidebars to position each leg. Install a screw in each leg to connect it to the sidebars.
- 4 Insert the crossbars into the closed end of the connectors; this will link together the 2 sidebars.
- 5 Make sure that the bench is square and that all of the screw holes line up, then install the remaining screws into each hole in your bench.
- 6 Install the drain outlet in the left side hole, and the feed fitting in the right side hole. Make sure that the rubber washers are installed on top of the 4 x 8 tray, and that the fittings are firmly tightened.
- 7 Slide the drain hose onto the drain fitting; this will direct the draining water from the tray into the reservoir.
- 8 Install the pump feed onto the outlet side of the pump, use one of the hose clamps to seal the pump feed around the outlet.
- 9 Place the pump at the bottom of the reservoir, the pump is fully submersible and will operate at the bottom of the reservoir.



- 10** Install the reservoir lid on top of the reservoir.

- 11** There are three holes in the reservoir lid, the feed and drain holes are located towards the center, the feed side hole is on the right and the drain side hole is on the left. Align the pump directly underneath the feed side hole, and then pull the pump feed up through this hole.

- 12** Place the tray on top of the bench, then slide the reservoir underneath the bench.

- 13** Align the feed and drain holes in the reservoir lid with the fittings in the tray.

- 14** Push the drain hose into the drain hole in the reservoir lid, then connect the pump feed tubing to the feed fitting. Use the remaining hose clamp to secure the tubing around the fitting.

- 15** Bring the pump cord out through the hole in the reservoir lid.

- 16** Fill Reservoir with water. Plug in pump and test the system; look for leaks. If there are none your assembly is complete and you are ready to begin.

Important Pump Maintenance:

Your new system is equipped with a high quality submersible pump, however to insure pump longevity routine maintenance is required. The following maintenance procedures should be followed every 3 - 4 weeks, or if pump performance begins to decrease.

- 1 Disconnect the pump cord from the power outlet and remove from system.
- 2 Remove the main housing off the end of the pump, then rinse the debris out of the housing and prefilter.
- 3 Detach the impeller cover, and slide the impeller and shaft out of the pump.
- 4 At this time use a small brush to clean the impeller, shaft, and inside of the motor housing.
Do not use any soaps or detergents while cleaning
- 5 Slide the shaft back into the motor housing and then install the impeller cover. Make sure that the impeller cover is completely attached.
- 6 Reattach the main housing and reconnect your pump to your system.

Ebb and Flow Instructions

If Using Rockwool:

- 1 Fill reservoir with purified water.
- 2 Add nutrients as recommended per label. For seedlings and transplants, use nutrients at quarter to half normal strength.
- 3 Test pH and adjust to a level of 5.8 - 6.2
- 4 Cut evenly spaced X's per rockwool slab, open up each X and place a rockwool propagation block in it. Install a drip line into the corner of each block.
- 5 Turn the pump on and fully saturate the rockwool slabs.
- 6 At this time you will need to Refill the reservoir with water and nutrients.
- 7 Test pH and adjust to a level of 5.8 - 6.2
- 8 Set the pump to water 2 - 5 times per day, 15 minutes to 30 minutes per watering.

If Using Soilless Mix and Starter Plugs:

- 1 Fill reservoir with purified water.
- 2 Add nutrients as recommended per label. For seedlings and transplants, use nutrients at quarter to half normal strength.
- 3 Test pH and adjust to a level of 5.8 - 6.2
- 4 Fill pots with soilless mix, such as Ready Gro, and fully saturate with nutrient mix.
- 5 Plant starter cubes in the soilless mix.

NOTE: At this time you will need to Refill the reservoir with water and nutrients.

- 6 Test pH and adjust to a level of 5.8 - 6.2
- 7 Set the pump to water 2 - 5 times per day, 15 minutes to 30 minutes per watering.

Maintenance Procedures

- 1 Replenish water as needed. Add nutrients with additional water if you are using a TDS meter.
- 2 The reservoir needs to be changed periodically, change about every 7 to 21 days.
- 3 Follow nutrient label recommendations for nutrient strength at each growth stage.
- 4 Keep pH adjusted to a range of 5.8 - 6.2

Congratulations!

You have purchased the latest in hydrogardening products from Botanicare. We are proud to offer the highest quality components and plastics to ensure years of successful gardening in the most innovative system ever.

For product support, call your retailer or contact Botanicare, toll free, 1-877-753-0404. Check out our website at www.botanicare.net for a complete list of outstanding products, including the latest in international systems, plastics and plant nutrients.

Consult you local dealer for pricing, or visit us on the web for more information at www.botanicare.net

BOTANICARE

6858 W Chicago St, #3
Chandler, AZ 85226 USA
www.botanicare.net

Toll Free 1 (877) 753 0404
Local (480) 777 2000
Facsimile (480) 777 2015