




# DOSATRON®

WATER POWERED DOSING TECHNOLOGY

## 8 m<sup>3</sup>/h - 40 GPM

D 8 RE 3000  
D 8 RE 2  
D 8 GL 2  
D 8 RE 5



manuel d'utilisation  
owner's manual  
gebrauchsanweisung  
manuale d'uso  
manual de utilización  
gebruiksaanwijzing  
Руководство  
ПОЛЬЗОВАТЕЛЯ  
Instrukcja obsługi  
manual de utilização



# **DOSATRON®**

WATER POWERED DOSING TECHNOLOGY

---

SERVICE CLIENTÈLE  
CUSTOMER SERVICE  
KUNDENBETREUUNG  
SERVIZIO CLIENTI  
DEPARTAMENTO CLIENTELA  
KLANTENSERVICE  
СЛУЖБА ПОДДЕРЖКИ КЛИЕНТОВ  
DZIAŁ OBSŁUGI KLIENTA  
SERVIÇO DE APOIO AO CLIENTE

**WORLDWIDE - EUROPE :**  
**DOSATRON INTERNATIONAL S.A.S.**

---

Rue Pascal - B.P. 6 - 33370 TRESSES (BORDEAUX) - FRANCE  
Tel. 33 (0)5 57 97 11 11 - Fax. 33 (0)5 57 97 11 29 / 10 85  
e.mail : [info@dosatron.com](mailto:info@dosatron.com) - <http://www.dosatron.com>

**NORTH & CENTRAL AMERICA :**  
**DOSATRON INTERNATIONAL INC.**

---

2090 SUNNYDALE BLVD. CLEARWATER - FL 33765 - USA  
Tel. 1-727-443-5404 - Fax 1-727-447-0591  
Customer Service: 1-800-523-8499  
<http://www.dosatronusa.com>



# English



This document does not form a contractual engagement on the part of Dosatron International and is for information only. Dosatron International reserves the right to alter product specification or appearance without prior notice.

© DOSATRON INTERNATIONAL S.A.S. 2012

**You have just become the owner of one of the latest in the line of DOSATRON water powered metering pumps and we congratulate you on your choice.**

**The development of this model is the result of over 30 years experience. Our engineers have placed the DOSATRON series at the forefront of technical development in the field of DOSATRON water powered metering pumps.**

**This DOSATRON will, as time goes by, prove itself to be a most faithful ally.**

**A little care and attention, regularly spent, will guarantee you an operation in which the word breakdown has no place.**

**THEREFORE, PLEASE, READ THIS MANUAL CAREFULLY BEFORE PUTTING THE DOSATRON INTO OPERATION.**

## **Important !**

**The complete model reference and the serial number of your DOSATRON is stamped on the pump body.**

**Please record this number in the space below and refer to it when you call your distributor for information, parts, and service.**

**Ref. # .....**

**Serial # .....**

**Purchase Date .....**

## SPECIFICATIONS

	D 8 RE 3000	D 8 RE 2 D 8 GL 2	D 8 RE 5
Practical operating <b>flow range</b> :	500 l/h MINI - 8 m <sup>3</sup> /h MAXI [2.2 US Fl oz/min - 40 US GPM]		
Operating <b>pressure</b> :			
<b>bar</b>	0.15 - 8	0.15 - 8	0.15 - 8
<b>PSI</b>	2.2 - 116	2 - 110	2 - 110
<b>Externally adjustable injection rate</b> :			
<b>%</b>	0.03 - 0.125	0.2 - 2	1 - 5
<b>Ratio</b>	1:3000 - 1:800	1:500 - 1:50	1:100 - 1:20
<b>Concentrated additive injection</b> :			
<b>MINI l/h - MAXI l/h</b>	0.15 - 24	1 - 160	5 - 400
US Fl. oz/min - MINI	0.08	0.56	2.8
US GPM - MAXI	0.1056	0.70	1.76
<b>Maximum operating temperature</b> :	40 °C [104 °F]		
<b>Connections (NPT/BSP gaz male)</b> :	Ø 40x49 mm [1" 1/2 M]		
<b>Hydraulic motor capacity</b> (for every 2 clicks of the piston) :	about 1.7 l [0.449 US Gallons]		

**NOTE : The DOSATRON is not preset, see chapter  
ADJUSTING THE INJECTION RATE.**

## UNIT SIZE

Diameter :	cm ["]	17.55 [6" 9/10]	17.55 [6" 9/10]	17.55 [6" 9/10]
Total heigh :	cm ["]	66.83 [26" 3/10]	64.16 [25" 13/50]	65.89 [25" 47/50]
Total Width :	cm ["]	21.8 [8" 1/2]	21.8 [8" 1/2]	21.8 [8" 1/2]
Weight :	± kg [lbs]	3.3 [7.3]	3.3 [7.3]	3.5 [7.7]

**SHIPPING CONTENTS:** 1 DOSATRON / 1 mounting bracket for DOSATRON / 1 suction tube of concentrated additive / 1 strainer / 1 owner's manual.

**PACKAGE SIZE :** 67 x 22.5 x 20.5 cm [26"3/8 x 8"7/8 x 8"1/16]

**PACKAGE WEIGHT :** 5.5 kg approx [~12.1 US lbs]

# Summary

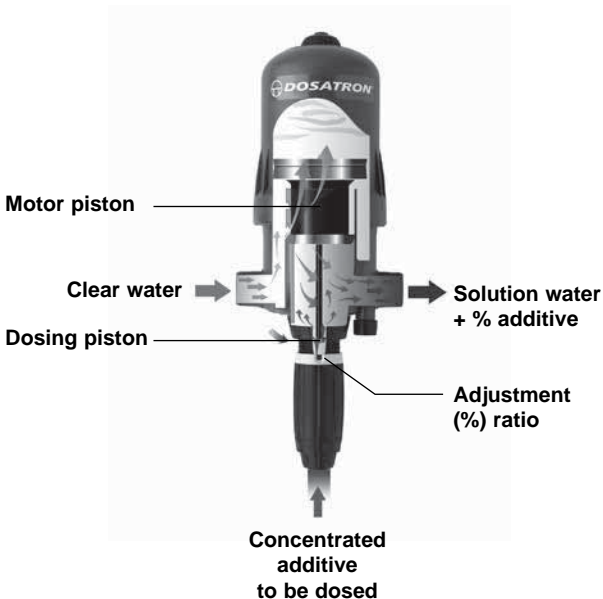
<b>INSTALLATION</b>	<b>PAGE</b>
Precautions .....	7
Assembling the Dosatron .....	10
Installation hints .....	13
The product's automatic anti-siphoning system .....	14
<b>PUTTING INTO ORDER</b>	
Using for the first time .....	15
<b>MAINTENANCE</b>	
Recommendations .....	16
How to drain the Dosatron .....	16
International conversions .....	17
Fitting the suction tube .....	17
Adjusting the injection rate .....	18
Changing the motor piston .....	18
Changing seals in the injection assembly .....	19
Changing the dosing seals .....	20
Cleaning and re-assembling the suction valve seal .....	20
<b>REFERENCE DESIGNATION</b> .....	21
<b>TROUBLESHOOTING</b> .....	22
<b>LIMITED WARRANTY</b> .....	24

# Precise, simple and reliable

Installed directly in the water supply line, the DOSATRON operates by using water pressure as the power source. The water activates the DOSATRON, which takes up the required percentage of concentrate.

Inside the DOSATRON, the concentrate is mixed with the water.

The water pressure forces the solution downstream. The dose of concentrate will be directly proportional to the volume of water entering the DOSATRON, regardless of variations in flow or pressure which may occur in the main line.



# Installation

## PRECAUTIONS

### 1 - GENERAL REMARKS

- When connecting a DOSATRON either to the public water supply or to its own water source, you must respect the regulations in force concerning protection of the source i.e. backflow prevention, etc.
- When connecting the DOSATRON to the water supply, ensure that the water flows in the direction of the arrows on the unit.
- In a case where the water installation is higher than the DOSATRON itself, there is a possible risk of water and concentrate flowing back through the DOSATRON. In this case, installing a non-return valve downstream is recommended.
- It is recommended that you should place an anti-siphon valve on the downstream side of the dosing pump in installations in which there is a risk of siphoning.
- Do not install the DOSATRON just above an acid container, (risk of acid fumes attacking the DOSATRON) and protect it from possible contact with corrosive products.
- Protect the DOSATRON from freezing temperatures by draining it and store it away from sources of excessive heat.
- Do not install the DOSATRON on the suction side of the supply pump (risk of siphoning).

- It is the responsibility of the owner/operator to replace the injection seals annually to ensure precise injection.

The setting of the Dosatron's dosing rate is the sole responsibility of the user. The user has to respect the recommendations given by the manufacturer of the chemical product.

### AVERTISSEMENT

**When installing, operating, and maintaining the DOSATRON water powered metering pump, keep safety considerations foremost. Use proper tools, protective clothings, and eye protection when working on the equipment and install the equipment with a view toward ensuring safe operation.**

**Follow the instructions in this manual and take additional safety measures appropriate to the liquid being pumped and the temperature of the water that powers the DOSATRON. Be extremely careful in the presence of hazardous substances (e.g. corrosives, toxins, solvents, acids, caustic, flammables, etc.)**

## PRECAUTIONS (cont...)

- Before applying any aggressive chemicals, please consult your distributor to confirm compatibility with the dosing pump.

- When installing the DOSATRON on a hot water system (60°C/140°F max.), a dosing unit with "T"-option is required. High temperature increases the risk and the dangerousness of the substances mentioned above. It is strongly recommended to identify and label the dosing unit and the complete hot water installation as such, and to respect the corresponding regulations in force.

### **⚠ WARNING!**

**The personnel being responsible for installation, use and maintenance of this material must be perfectly familiar with the contents of this manual.**

It is the responsibility of the owner/operator to check that the flow and pressure of the installation do not exceed the DOSATRON characteristics.

- Adjustment must be made when there is no pressure in the Dosatron.
- Turn off the water supply and allow the pressure to drop to zero.
- It is the responsibility of the owner/operator of the DOSATRON, to determine the correct amount of solution and injection ratio to obtain the desired result.

- An air inlet, an impurity or a chemical attack on seal can interrupt the dosing function. It is recommended to periodically check that the solution is being correctly drawn up into the DOSATRON.

- Change the suction tube as soon as it seems damaged by the chemical.

- Relieve the pressure after use (advised).

- Rinsing of the DOSATRON is required :

- . when changing chemicals,
- . before handling the DOSATRON, to avoid any contact with the chemical.

- All assembly should be done without tools, hand tighten only.

### **2-WATER WITH HIGH PARTICLE CONTENT**

- A (ex.: 60 microns - 300 mesh depending on your water quality) water filter must be installed upstream from the DOSATRON (see accessories), if a filter is not installed abrasive substances will cause the DOSATRON to deteriorate prematurely.

### **3-WATER-HAMMER / EXCESSIVE FLOW**

- For installations subject to water hammer a protection device such as a check valve or union ball check must be fitted (pressure/flow control system).



- For automatic installations, slow opening and closing solenoid valves are preferable.

- In an installation where a DOSATRON serves several sectors, the closing of one sector and the opening of another sector must be done at the same time (simultaneous operation of the solenoid valves).


- Call your DOSATRON distributor for service or parts.



#### **4-INSTALLATION LOCATION**

The location of the DOSATRON and concentrate container should be accessible, but should never present a risk of pollution or contamination.

- It is recommended to label all water lines with a warning about the injected solution i.e.

 **IMPORTANT ! Not For Human Consumption.**

#### **5-MAINTENANCE**

- Rinse the injection areas after using the DOSATRON. To do this, insert suction tube into a container of clean water.

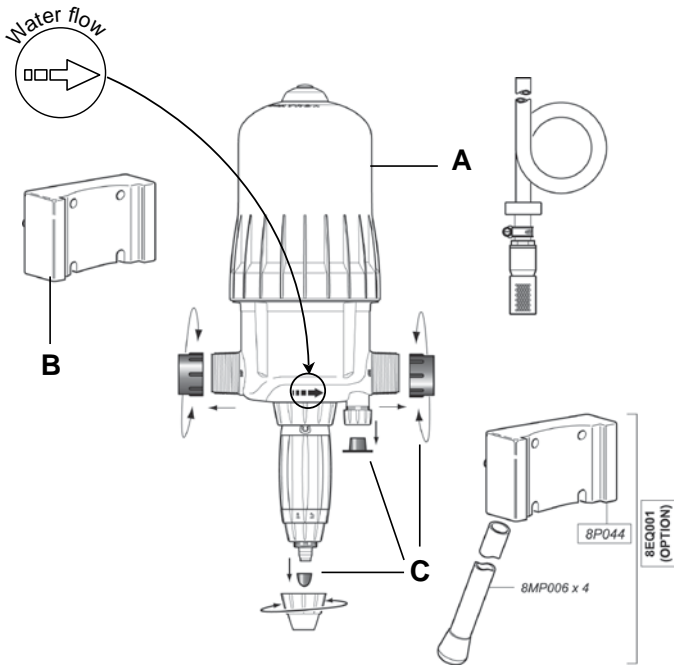
- Routine maintenance once a year will add to the life of your DOSATRON. The product's dosage seals and suction hose must be replaced annually.

#### **6-SERVICE**

- This DOSATRON was tested prior to packaging.

- Complete maintenance and seal kits are available.

# ASSEMBLING THE DOSATRON



**Fig. 1**

## ASSEMBLY SHOULD BE CARRIED OUT WITHOUT THE USE OF TOOLS

The DOSATRON is delivered with :

- a mounting bracket,
- a suction tube with a strainer.

The bracket enables the DOSATRON to be fixed to a wall.

- Slide the Dosatron's dove-tail fittings (**Fig. 1-A**) into the wall bracket (**Fig. 1-B**).
- Remove the plastic caps (**Fig. 1-C**) which block the inlet and outlet of your DOSATRON before connecting to the water supply.

## RECOMMENDATIONS



**Torque 30 N·m  
thus 3 kg·m**  
(Remember : 1 N·m = 0.1 DaN.m)

The DOSATRON can be connected to the water supply by means of  $\varnothing 40 \times 49$  mm [1 1/2"] bore flexible hose and hose tail fittings with hose clips.

Make certain that the water flows in the direction of the arrows on the pump body.

The DOSATRON is delivered with a suction tube (cut it to the needed length) enabling its use with a large capacity concentrate container.

The tube must be fitted with its strainer and weights.

The instructions for fitting the tube are to be found in the specific chapter.

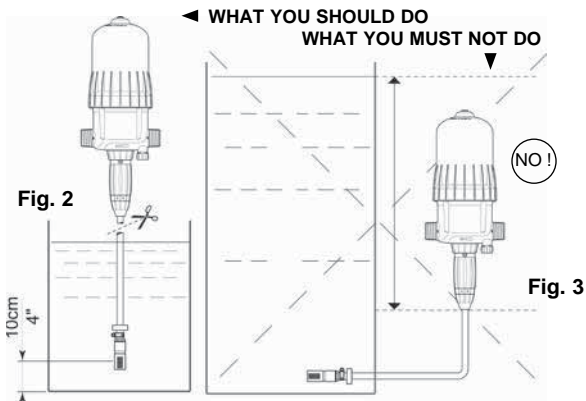
NOTE : The maximum suction height is 4 meters (13 vertical feet).

Fit the tube, equipped with its strainer and its weight, and immerse it in the solution to be injected.

## ASSEMBLING THE DOSATRON (cont...)

**IMPORTANT !** - Do not put the suction tube strainer on the bottom of the stock solution container. The strainer must be suspended at least 10 cm [4"] above the bottom of the tank to avoid sucking up the insoluble particles that may damage the injection assembly (Fig.2).

- Do not put the strainer on the ground.



Under no circumstance should the solution level be above the water inlet of the DOSATRON (to avoid siphoning situations) (Fig. 3).

## INSTALLATION HINTS

The DOSATRON can be connected to the main water line directly (**Fig. 4**), on a by-pass (**Fig. 5**).

If your flow rate is above the operating limits of the DOSATRON, see § EXCESSIVE FLOW.

To prolong the working life of the DOSATRON it is advisable to install a filter (ex.: 300 mesh - 60 microns depending on your water quality) upstream.

This is imperative if the water contains impurities or particles, especially if the water comes from a well.

A filter is recommended and required for the warranty to be valid.

Installing the DOSATRON on a bypass enables clean water to be supplied without operating the DOSATRON and the DOSATRON to be easily dismantled.

**When connecting an installation to the public water supply, you must respect the rules and regulations in force in the country.**

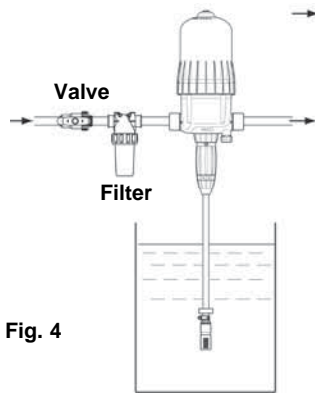


Fig. 4

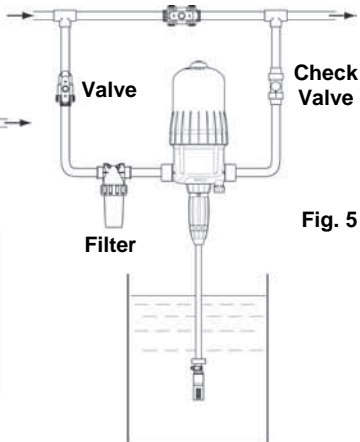


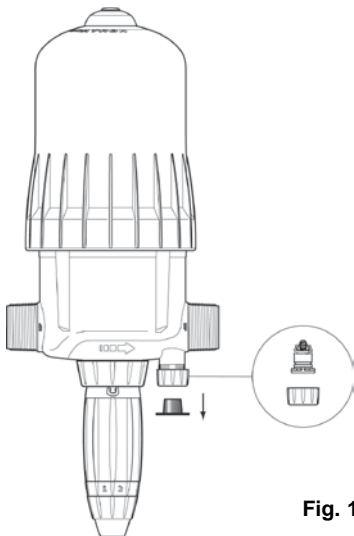
Fig. 5

### EXCESSIVE FLOW (as an indication)

If your DOSATRON clicks more than **40 times**, that is **20 cycles** in 15 seconds, you are close to the superior flow limit. If you need more flow, you must install a DOSATRON with a superior capacity of flow.

## THE PRODUCT'S AUTOMATIC ANTI-SIPHONING SYSTEM

- Automatically restores atmospheric pressure within the installation in case of accidental depressurisation\* (**Fig. 11**). Its use complies with health and safety regulations in force in the country.
- Complies with prescribed regulations.
- When commissioning the machine, remove the red cap.



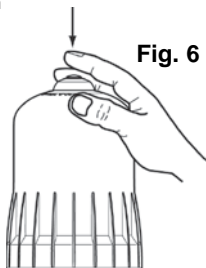
**Fig. 11**

\* Example: where the doser's outlet is lower than the inlet.

# Putting the Dosatron into order

## USING FOR THE FIRST TIME

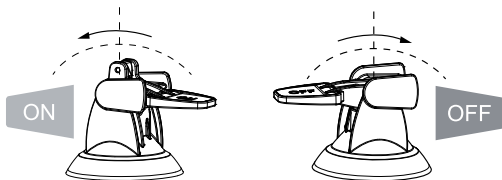
- Partially open the water inlet valve.
- Press the bleed button on the top of the DOSATRON (Fig. 6).
- When a constant flow of water is seen coming from around the bleed button (no more «spitting» of air), release the button.
- Open the water inlet valve slowly, the DOSATRON is self-priming.
- Operate the DOSATRON until the product to be injected is drawn up into the doser body (the product is visible through the plastic tube).
- The DOSATRON makes a characteristic «click-clack» noise when working.



**NOTE:** The time required to prime the suction tube depends on the water flow-rate, the ratio setting and the length of the suction tube. To bleed the air from the suction tube and accelerate the priming, set the injection rate at maximum. Once the DOSATRON is primed, adjust to the required injection rate (see § ADJUSTING THE INJECTION RATE).

The DOSATRON is fitted with the function by-pass. (optional equipment) :

- By-pass in ON, the DOSATRON works and the concentrate is drawn up.
- By-pass in OFF, the DOSATRON is stopped and does not draw up the product.



# Maintenance

## RECOMMENDATIONS

1 - When using soluble products to be made up into solutions, we recommend the periodic dismantling of the entire dosing part (see : § CLEANING AND REFITTING THE SUCTION VALVE, § CHANGING SEALS IN THE INJECTION ASSEMBLY).

Thoroughly rinsing all the elements of the dosing part with water and re-assembling them after having previously lubricated the seal (Fig. 7) with a silicone lubricant, in the case of difficulty in re-fitting.

2 - Before putting the DOSATRON into operation after a non-use period, remove the motor piston and soak it into lukewarm water < 40° C [104° F] overnight. This helps to dissolve any deposits which may have dried onto the piston motor.

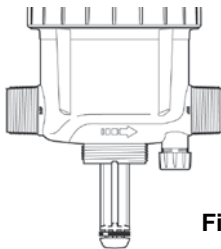
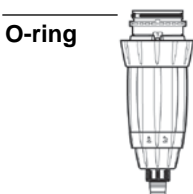


Fig. 7



## HOW TO DRAIN THE DOSATRON (in case of freezing temperature)

- Turn off the water supply and let the pressure drop to zero.
- Remove the injection assembly, see § CHANGING THE MOTOR PISTON.
- Remove the bell and the motor piston.
- Disconnect the water inlet and outlet fittings.
- Remove the lower pump body from the mounting bracket and empty any remaining water.
- The DOSATRON can now be reassembled, having first cleaned the seal.



## INTERNATIONAL CONVERSIONS

Principle : Setting at 1%  $\Rightarrow$  1/100 = 1 part of concentrate for 100 parts of water.

Ex. : Setting at 2%  $\Rightarrow$  2/100 = 2 parts of concentrate for 100 parts of water.

Ratio  $\Rightarrow$  1/50.

## FITTING THE SUCTION TUBE

If the DOSATRON has already been used, please **imperatively refer to § PRECAUTIONS.**

### For Ø 16 (Fig. 11) :

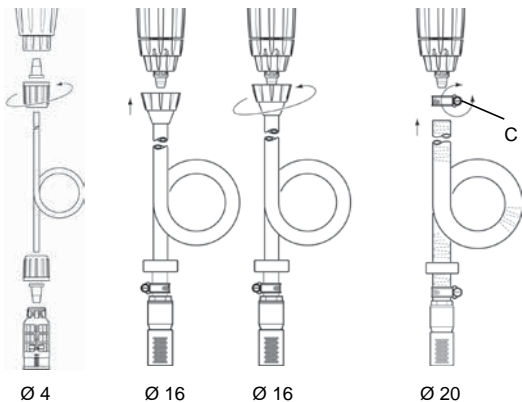
- Unscrew the nut at the bottom of the injection assembly and put it onto the tube.
- Push the hose firmly into the barbed fitting and re-tighten the collar.

### For Ø 20 (Fig. 12) :

- Using a screwdriver, unscrew the collar (Fig. 12-C) mounted on the suction hose.
- Push the hose firmly into the barbed fitting and re-tighten the collar.

Fig. 11

Fig. 12

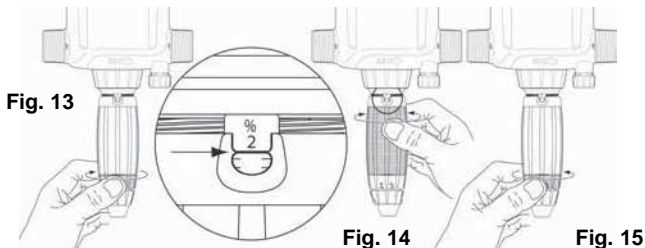


## ADJUSTING THE INJECTION RATE (with pressure off)

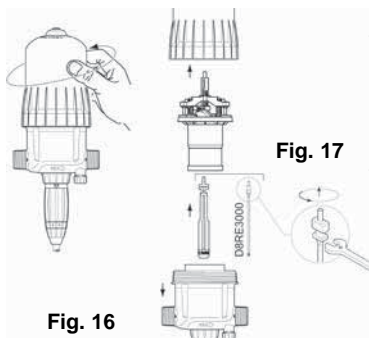
**IMPORTANT !** Use no tool or metallic utensils.

Adjustment must be made when there is no pressure in the DOSATRON.

- Turn off the water supply and allow the pressure to drop to zero.
- Unscrew the retaining ring (**Fig. 13**).
- Screw or unscrew the adjusting nut in order to line up the 2 peaks of the eyelet with the desired ratio on the scale (**Fig. 14**).
- Tighten the blocking ring (**Fig. 15**).



## CHANGING THE MOTOR PISTON (with pressure off)



- Turn off the water supply and allow the pressure to drop to zero.
- Unscrew and remove bell-housing by hand (**Fig. 16**).
- Remove the motor piston (**Fig. 17**) by pulling it up.
- Rod and plunger piston are fixed to the motor piston and taken out simultaneously.
- Change and reassemble in the reverse order to the above.
- Refit the bell-housing (take care not to damage its seal) and tighten by hand.

## CHANGING SEALS IN THE INJECTION ASSEMBLY (with pressure off)

Frequency : Once per year.

**IMPORTANT ! Use no tool or metallic utensils.**

**ADVICE :** Before dismantling any part of the injection assembly it is advisable to operate the DOSATRON, injecting clean water so as to rinse through the injection system. In this way, risks of contact with concentrated solutions in the injection assembly are minimized.

During any such intervention, wear protective eyewear and gloves !

### METHOD OF REMOVING SEAL

**Fig. 22 :** Between finger and thumb, pinch the component and the seal ; push towards one side to deform the seal.

**Fig. 23 :** Increase the deformation to grip the part of the seal thus exposed and pull it out of its groove.

Clean the seal seating without any tools.

Refitting is done by hand.

It is very important that the seal is not twisted once in place as this would impair its efficiency.

**Fig. 22**



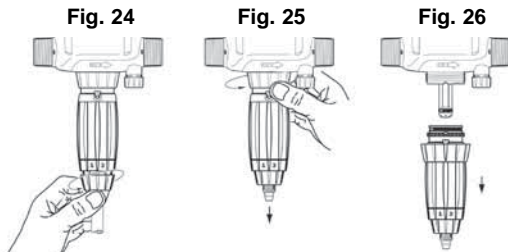
**Fig. 23**



## CHANGING THE DOSING SEALS

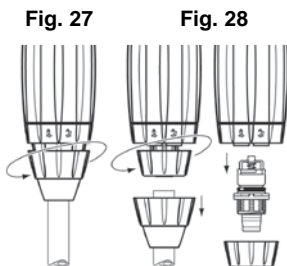
Please refer to the drawings of the different models at the end of this manual

- **Change the seals once a year.**
- Turn off the water supply and allow the pressure to drop to zero.
- Take off the suction tube (Fig. 24).
- Unscrew the retaining ring (Fig. 25).
- Pull downwards to remove the injection assembly (Fig. 26).
- Change the seals, the suction valve and the barbed fitting.
- Re-assemble in the reverse order to the above by hand.



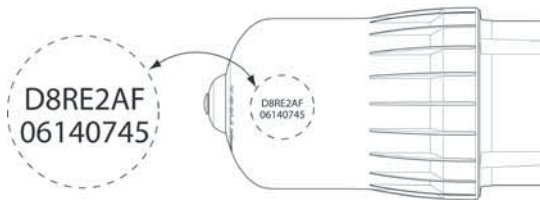
## CLEANING AND RE-ASSEMBLING THE SUCTION VALVE SEAL

- Turn off the water supply and allow the pressure to drop to zero.
- Unscrew the nut and pull downwards to remove the suction tube (Fig. 27).
- Unscrew and take off the suction valve retaining nut (Fig. 28), pull out the valve assembly, dismantle the valve and thoroughly rinse the separate components in clean water.
- Put the valve components in the order shown in the diagram.



# Reference Designation

REF.  
Serial #



REF. / Serial # : .....							
EXAMPLE	D 8	RE / GL	2	BP	AF	ii	
Type of DOSATRON							
RE : adjustable							
GL : Green Line (fertigation) [Green]							
Dosage ( % or ratio)							
BP : by-pass (option)							
Dosing Seals :      AF = PH 7-14 VF = PH 1-7 K = strong acids (>15%)							
Other extensions (consult us)							

# Troubleshooting

SYMPTOM	CAUSE	SOLUTION
<b>Motor piston</b>		
	Piston stalled	Reset piston, by hand
	Air has not been bled from unit	Bleed air from unit, by bleed button
	Maximum flow exceeded.	1. Reduce flow, restart unit 2. Unscrew the bell. Take off the piston and check piston valves seals to ensure correct position
	Motor piston is damaged	Return unit to your service center for repair
<b>Injection</b>		
Water flowing back into concentrate container	Contaminated, worn, or missing check valve parts	Clean or replace it
No suction of concentrate	The piston motor has stopped	<b>See Motor piston section</b>
	Air leak (inlet) in the suction tube	Check the tightness between nut and suction hose
	Blocked suction tube or clogged strainer	Clean or replace it
	Missing or worn suction check valve seal	Clean or replace it
	Missing or worn plunger seal	Clean or replace it
	Worn injection stem	Replace it



<b>SYMPTOM</b>	<b>CAUSE</b>	<b>SOLUTION</b>
<b>Injection</b>		
Under injection	Suction of air	1. Check the tightness of the nuts in the injection area 2. Check suction tube
	Dirty or worn check valve seal.	Clean or replace it.
	Maximum flow exceeded (cavitation)	Reduce flow
	Worn plunger seal	Replace it
	Worn injection stem	Replace it
<b>Leaks</b>		
Leaks in the vicinity of the fixing ring under the body housing	Injector sleeve seal is damaged or positioned incorrectly	Replace it
Leaks between the setting sleeve and the blocking ring	Injector stem seal damaged, positioned incorrectly or missing	Replace it
Leaks between the body and the cover	Cover seal perished, incorrectly fitted or absent	Unscrew the bell, clean the seal seating, replace or change the seal. Position correctly the bell.

**THE MANUFACTURER  
DECLINES ALL RESPONSIBILITY IF THE DOSATRON  
IS USED IN CONDITIONS THAT DO NOT CORRESPOND  
TO THE OPERATING INSTRUCTIONS AS INDICATED  
IN THIS MANUAL**

# Limited warranty

DOSATRON INTERNATIONAL S.A.S. will provide for replacement of all parts shown to be defective in material or workmanship during a period of twelve months from the date of purchase by the original purchaser.

To obtain warranty replacement of a part, the DOSATRON must be returned with original proof of purchase receipt to the manufacturer or authorized distributor and thereafter recognized as defective after examination by the technical services of the manufacturer or distributor.

The DOSATRON must be flushed of any chemical and sent to the manufacturer or distributor prepaid, but will be returned free of charge once repairs are made if found to be covered by the warranty. Any repairs made under warranty will not extend the initial warranty period.

This warranty only covers circumstances where the part has failed due to defects caused by the manufacturing process.

This warranty is invalid if the defects are found to be due to the product's misuse : Inappropriate use of tools, lack of maintenance or defective installation or environmental accidents or corrosion by foreign bodies and liquids found within or in proximity to the DOSATRON.

Before using any aggressive chemicals, please consult your distributor to confirm compatibility with the dosing pump.

The seals and "o-rings" are not covered under warranty, nor is damage to the DOSATRON caused by water impurities such as sand.

A filter (ex.: 300 mesh - 60 microns depending on your water quality) must be used in front of the DOSATRON for the warranty to be valid.

This warranty gives you specific legal rights and you may also have other rights which vary from state to state. But any implied warranty or merchantability or fitness for a particular purpose applicable to this product is limited in duration to the time period of this written warranty or any implied warranty.

There is no warranty express or implied relating in any way to products used in conjunction with DOSATRON INTERNATIONAL S.A.S. products.

The manufacturer or authorized distributor shall not be liable for incidental or consequential damage, such as any economic loss, resulting from breach of this written warranty or any implied warranty.

There are no warranties, express or implied, which extend beyond those described above.

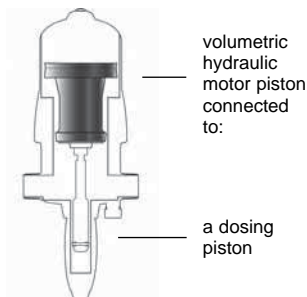
"DOSATRON INTERNATIONAL S.A.S disclaims all responsibility if the Dosatron is used in conditions that do not correspond to the operating instructions as indicated in this manual."



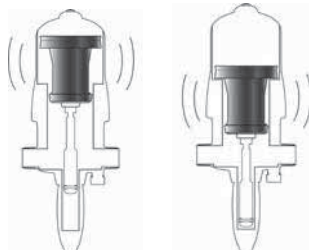
## KNOW YOUR FLOW

### A SIMPLE METHOD

THE DOSATRON IS COMPOSED OF:



In its up and down movement, you can hear the motor piston click:



2 clicks = 1 motor cycle  
= The stroke volume

Once in the up position

Once in the down position

The speed of the motor is proportional to the flow of water passing through the system.

#### ■ Calculation of water flow in l/h=

$$\frac{\text{Number of clicks in 15 seconds}}{2} \times 4 \times 60 \times 1.7$$

*Calculation for 1 minute* (pointing to 4)  
*Calculation for 1 hour* (pointing to 60)  
*Stroke volume in liters* (pointing to 1.7)

#### ■ Calculation of water flow in GPM=

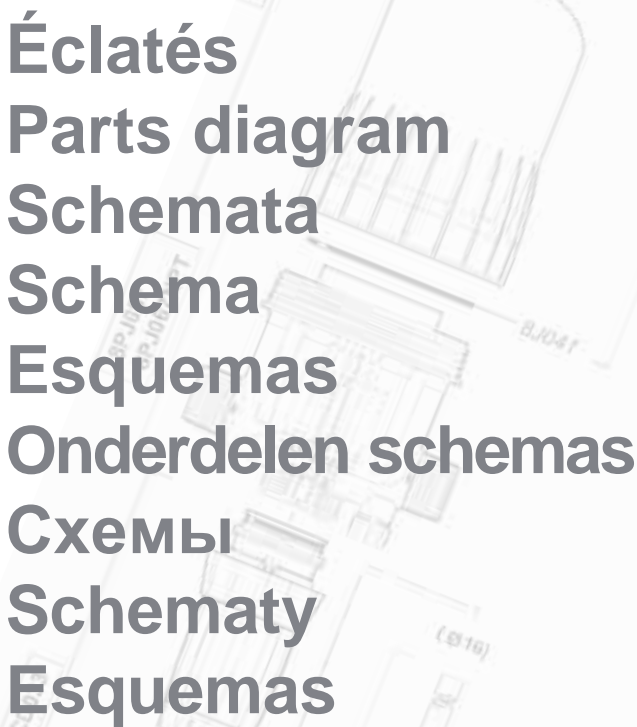
$$\frac{\text{Number of clicks in 15 seconds}}{2} \times 4 \times 1.7 \div 3.8$$

*Calculation for 1 minute* (pointing to 4)  
*Stroke volume in litres* (pointing to 1.7)  
*Conversion from liters to gallons* (pointing to 3.8)

**NOTA** : This method of calculation cannot replace a flow meter. It is given only as an approximate guide.

## NOTES

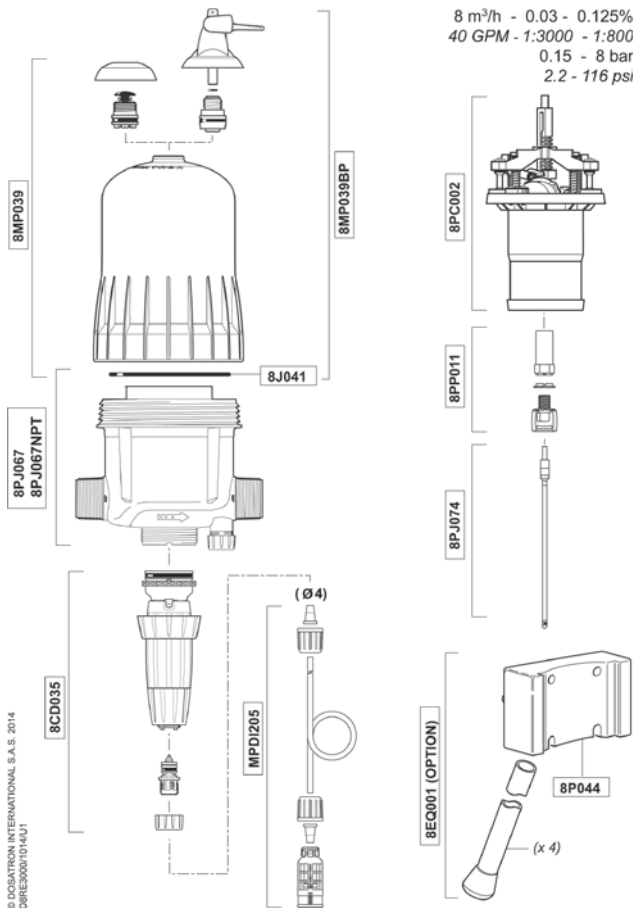
A series of 25 horizontal dotted lines for writing notes.



**Éclatés**  
**Parts diagram**  
**Schemata**  
**Schema**  
**Esquemas**  
**Onderdelen schemas**  
**Схемы**  
**Schematy**  
**Esquemas**

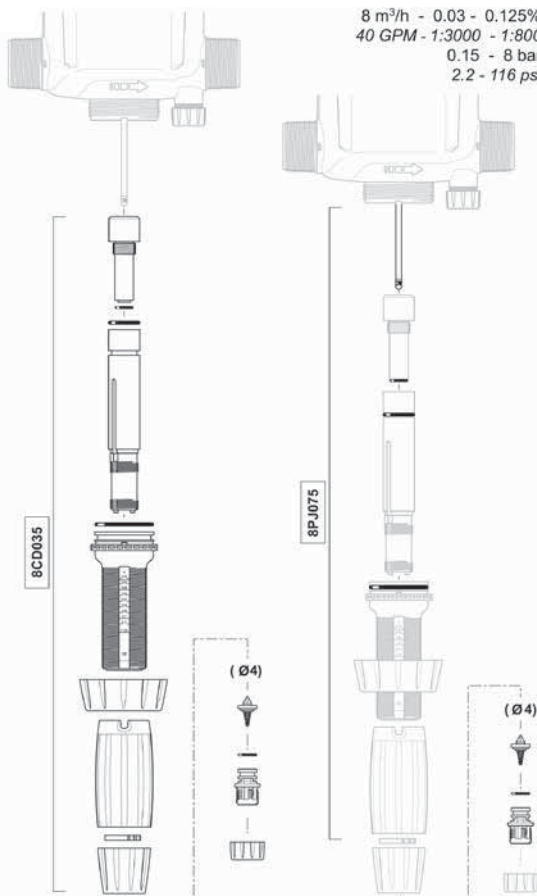
..... 231 - 239

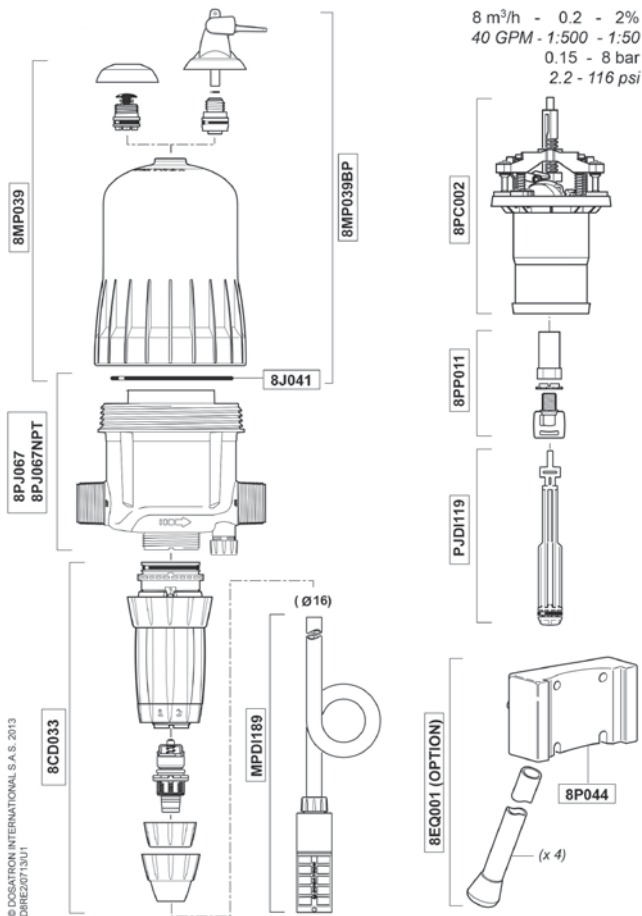
# D8RE3000



# D8RE3000

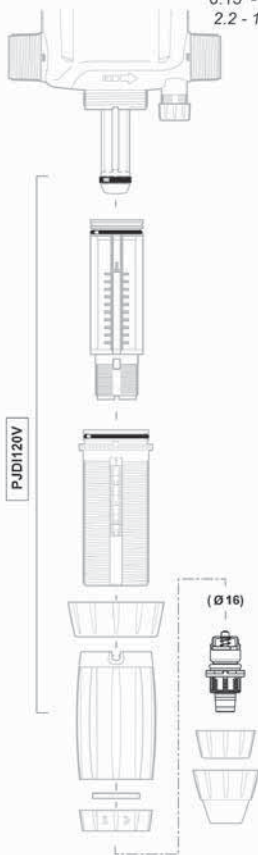
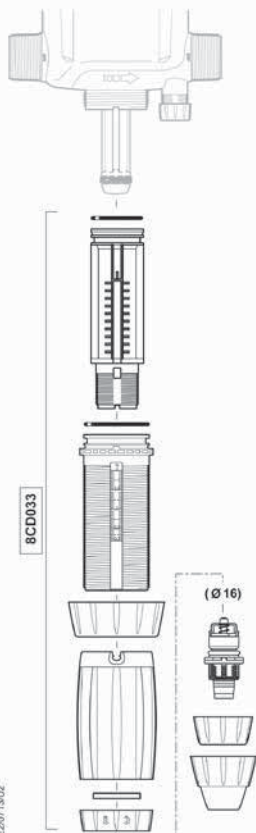
8 m<sup>3</sup>/h - 0.03 - 0.125%  
40 GPM - 1:3000 - 1:800  
0.15 - 8 bar  
2.2 - 116 psi



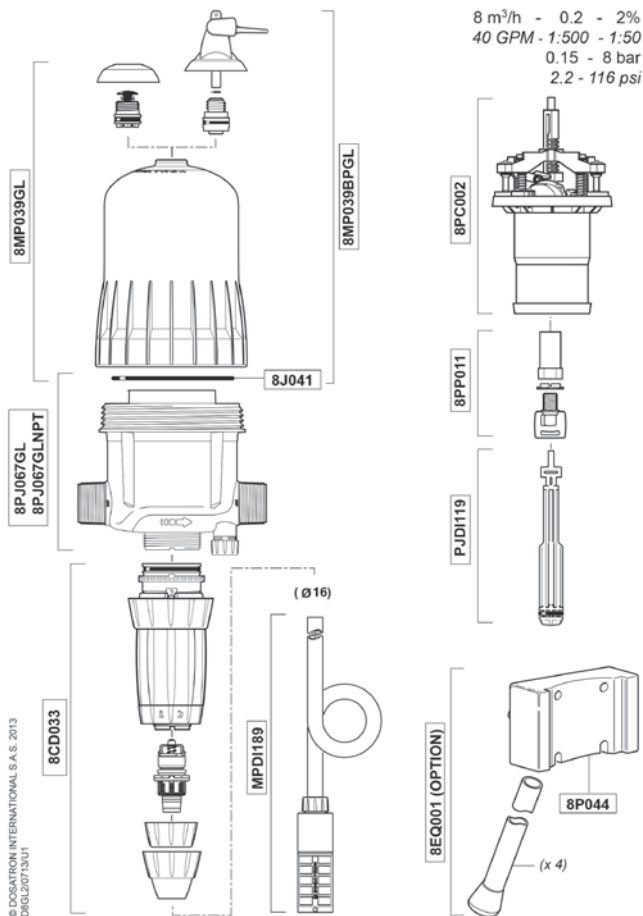


# D8RE2

8 m<sup>3</sup>/h - 0.2 - 2%  
40 GPM - 1:500 - 1:50  
0.15 - 8 bar  
2.2 - 116 psi



# D8GL2





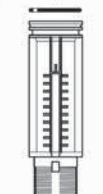
# D8GL2

8 m<sup>3</sup>/h - 0.2 - 2%  
40 GPM - 1:500 - 1:50  
0.15 - 8 bar  
2.2 - 116 psi



8CD033

PJD120V

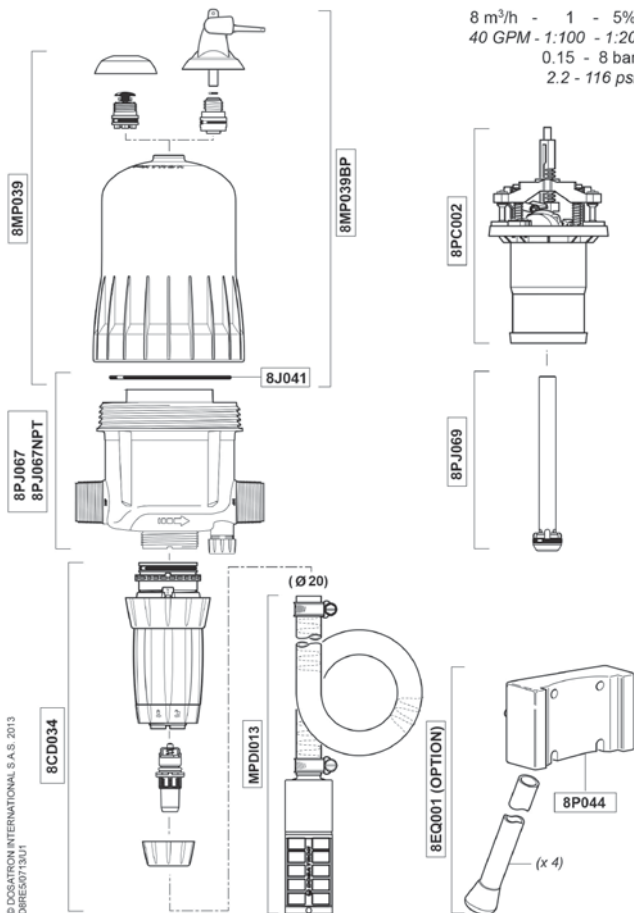


(Ø 16)

(Ø 16)

# D8RE5

8 m<sup>3</sup>/h - 1 - 5%  
 40 GPM - 1:100 - 1:20  
 0.15 - 8 bar  
 2.2 - 116 psi



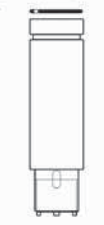
# D8RE5

8 m<sup>3</sup>/h - 1 - 5%  
40 GPM - 1:100 - 1:20  
0.15 - 8 bar  
2.2 - 116 psi



8CD034

PJD122V



(Ø 20)

(Ø 20)



Ce document ne constitue pas un engagement contractuel et n'est fourni qu'à titre indicatif. La Société DOSATRON INTERNATIONAL se réserve le droit de modifier ses appareils à tout moment.

This document does not form a contractual engagement on the part of DOSATRON INTERNATIONAL and is for information only. The company DOSATRON INTERNATIONAL reserves the right to alter product specification or appearance without prior notice.

Dieses Dokument ist kein bindender Vertragsbestandteil und dient nur zu Informationszwecken. Das Unternehmen DOSATRON INTERNATIONAL behält sich das Recht vor, seine Geräte jederzeit zu verändern.

Questo documento non costituisce un documento contrattuale e viene fornito soltanto a titolo indicativo. La società DOSATRON INTERNATIONAL si riserva il diritto di modificare i propri apparecchi in qualsiasi momento.

Este documento no constituye un compromiso contractual y se suministra solamente a título orientativo. La sociedad DOSATRON INTERNATIONAL se reserva el derecho de modificar sus aparatos en cualquier momento.

Dit document vormt geen contractuele verbintenis en wordt enkel ter informatie gegeven. DOSATRON INTERNATIONAL behoudt zich het recht voor zijn toestellen op elk ogenblik zonder voorafgaande informatie te wijzigen.

**Данный документ не является договорным обязательством и поставляется исключительно в порядке информации. DOSATRON INTERNATIONAL оставляет за собой право модифицировать свои изделия в любое время.**

Niniejszy dokument nie stanowi zobowiązania umownego. Informacje w nim zawarte mają wyłącznie charakter orientacyjny. DOSATRON INTERNATIONAL zastrzega sobie prawo wprowadzenia zmian do swoich urządzeń w każdej chwili.

Este documento não constitui um compromisso contratual e é apenas fornecido a título indicativo. A sociedade DOSATRON INTERNACIONAL reserva-se o direito de modificar os seus aparelhos em qualquer momento.

## CE Conformity Statement

Document N° DOCE05050108

This Dosatron is in compliance with the European Directive 2006/42/CE. This declaration is only valid for countries of the European Community (CE).



# **DOSATRON®**

*WATER POWERED DOSING TECHNOLOGY*

---

FABRIQUÉ PAR  
MANUFACTURED BY  
HERGESTELLT VON  
FABBRICATO DA  
FABRICADO POR  
GEPRODUCEERD DOOR  
ИЗГОТОВЛЕНО  
PRODUKCJA  
FABRICADO POR

**DOSATRON INTERNATIONAL S.A.S.**

Certified GEH&S System

Rue Pascal - B.P. 6 - 33370 TRESSES (BORDEAUX) - FRANCE

Tel. : 33 (0)5 57 97 11 11

Fax. 33 (0)5 57 97 11 29 / 33 (0)5 57 97 10 85

e.mail : [info@dosatron.com](mailto:info@dosatron.com) - <http://www.dosatron.com>

© DOSATRON INTERNATIONAL S.A.S 2012



NT/D8/10/14