

Product Name	ECO PLUS™ INLINE SUPREME FAN
Model Name	736600 / 736605 / 736610 / 736675 / 736680 / 736685
Purchase Date	
Location Purchased	
Warranty Period	5 year

### WARRANTY

Please read instructions, warnings and warranty prior to installation. Retain this information for your records.

National Garden Wholesale warrants to the original purchaser of this product against defects in the materials and workmanship under normal use for five (5) years. During the warranty period, National Garden Wholesale will, at our option repair or replace this unit if components fail.

This warranty shall not apply to this product in the event of misuse, abuse, negligence, modification or misapplication.

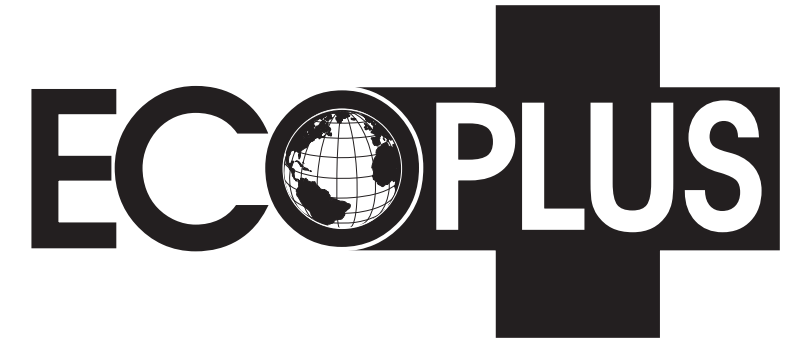
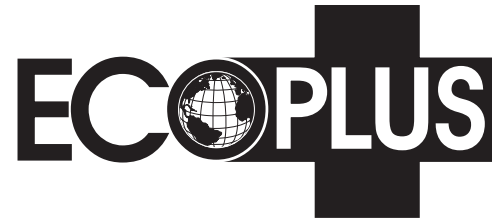
A copy of your original store receipt will be required for warranty work.

Contact customer service at: (360) 883-8846



Sunlight Supply, Inc.  
National Garden Wholesale.

[www.sunlightsupply.com](http://www.sunlightsupply.com) [www.n-g-w.com](http://www.n-g-w.com)



### INLINE SUPREME FAN INSTRUCTIONS

**MODEL 736600 / 736605 / 736610 / 736675 / 736680 / 736685**



Sunlight Supply, Inc.

National Garden Wholesale.

[www.sunlightsupply.com](http://www.sunlightsupply.com) [www.n-g-w.com](http://www.n-g-w.com)

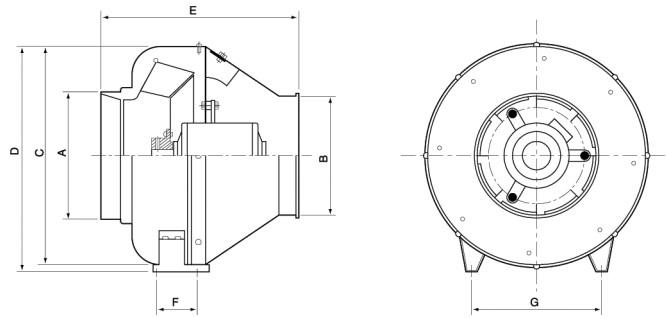
Made in China



Sunlight Supply, Inc.

National Garden Wholesale.

## 1. Outward Drawing



Model No.	Suction A	Discharge B	C	D	E	F	G
736600	3.9	3.9	9.4	9.5	8.3	4.3	6.7
736605	5.5	5.5	11.1	11.9	9.4	3.5	6.8
736610	7.6	7.5	13.4	13.8	12.0	3.5	8.3
736675	10	10	14.2	14.7	8.7	6.3	8.66
736680	12	12	15.7	16.2	9.8	7.48	9.64
736685	12	12	15.7	16.2	9.8	7.48	9.64

## 2. Capacity

Model No.	736600	736605	736610	736675	736680	736685
Volt / Phase	120v / 60 Hz	120v / 60 Hz	120v / 60 Hz	120v / 60 Hz	120v / 60 Hz	240v / 120 Hz
Power Input: W	90	124	164	230	300	310
Amphere: A	0.8	1.12	1.49	1.94	2.54	1.3
Revolution: RPM (MAX)	3300	3225	3225	3090	3340	3340
Air Volume: CFM (MAX)	170	440	740	780	1060	1060
Static Pressure: Inch/Water(MAX)	2.01"	2.28"	2.30"	3.06"	3.54"	3.54"
Weight: Kg	2.8	3.0	9.0	8.0	9.5	9.5

## 3. Caution in Installation

### Installation Area

If the unit is improperly installed, it may cause a breakdown or an accident. Do not install in the following areas:

- 1) A place of frequent vibration or where vibration easily occurs. (Installation has to be a sound place where there is no vibration.)
- 2) A place where the surrounding temperature exceeds 122°F or below 14°F.
- 3) A place where the temperature is freezing like a freezer.
- 4) A place where there is corrosive gas or use of chemical products.
- 5) A place where there is explosive dust or gas where it may occur.
- 6) A place where there is significant dust.
- 7) A place where there is significant humidity such as bathrooms, kitchens or other rooms that have over 90% of humidity or where it may occur.

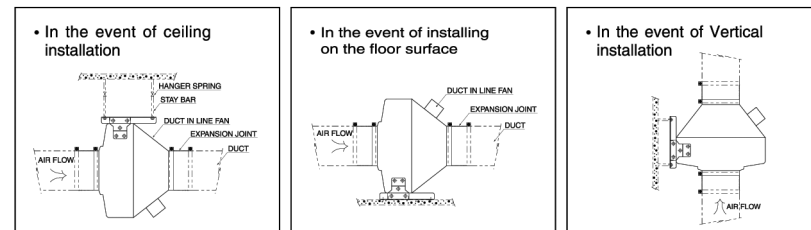
### Usage

Make sure to disconnect the power in the event of a power outage. When power supply is restored, the impeller may rotate rapidly causing an accident.

## 4. How to Install

- 1) When installing and carrying, be careful not to deform the impeller. If the wings are deformed, it will be unbalanced and cause noise and vibration.
- 2) Use a filter on the absorption axis to prevent dust, oil and other foreign substances on the impeller. (Filter selection may cause pressure loss for each type as well as the wind volume may be lowered.)
- 3) For installation on the ceiling, make sure to install an inspection hole of at least 18" x 18" for repair and inspection.

### Examples before installation



Fan can be mounted to a floor, ceiling or wall. Attach fan to a sturdy surface like a stud or other solid wood. Do not attach to a weak surface like sheetrock.

In all cases use the fixed mounting bracket and appropriate nuts and bolts to attach the fan.

## CAUTION

In using your fan, you should follow the **IMPORTANT INSTRUCTIONS** listed below. As part of these instructions we have used the word **WARNING** which indicates a hazard that, if not avoided, could result in death or injury.

### IMPORTANT INSTRUCTIONS

When using electrical appliances, basic safety precautions should always be followed to reduce the risk of fire, electrical shock, and injury to persons, including the following:

Read all instructions before using this product.

- Use this fan only as described in this manual. Any other use not recommended by the manufacturer may cause fire, electrical shock, or injury to persons.
- Extreme caution is necessary when the fan is used by or near children.
- Do not sit or stand on fan. Do not place objects on fan.



- Do not insert or allow foreign objects to enter any ventilation or exhaust opening as this may cause electric shock, and/or a fire hazard.
- A fan has arcing parts inside. Do not use it in areas where gasoline, paint or flammable materials are used or stored.



- Do not operate any fan with a damaged cord or plug. Do not operate the fan, which has been dropped, damaged or malfunctioned in any manner. Any repairs, or electrical, or mechanical adjustments should be made by a qualified electrician.
- Do not insert hand or object into the rotation part (impellers).
- Make sure to disconnect power before touching, moving or servicing unit.
- Properly mount fan to a secure surface before operating.
- Do not overload your circuits. Check amp draw relative to amps available on the circuit you want to connect the fan to.
- Do not allow any type of liquids to make contact with the fan.
- This product is intended for indoor use only.
- Use only with electrical wiring that is in good working order and meets applicable codes.

## 5. Test Operation

- After completing installation, electric work, and duct work, perform the test operation to check if it operates normally.
- After injecting the power, if wing is not rotating or rotation is slow, cut off the power and check if the line connection is normally made.
- Check whether there is an abnormal sound or loss of wind during rotation.

## 6. Maintenance

- BEFORE CLEANING THE FAN DISCONNECT THE POWER CORD.
- Make periodic cleaning on filter absorption side & discharge head.