



Ideal-Air™ Mega-Splits

4 & 5 TON UNIT

Ideal-Air™ is proud to offer the first ceiling hung, cooling and heating air conditioning system designed expressly for indoor gardening. This inverter compressor outdoor unit features a split heat pump system that heats and cools. It's matched to a commercial-grade indoor ceiling mounted head that delivers effective indoor cooling when outdoor temperatures range from 116°F to -13°F. This system also includes an internal condensate drain pan. The permanent indoor air filter never needs replacing and is easily accessed for quick clean-up. This kit includes the touch screen thermostat wall display and 32 ft wire harness to interface with the indoor and outdoor unit.

- 1 year parts warranty
- 5 year compressor warranty
- 208/230V 3ph, 60Hz

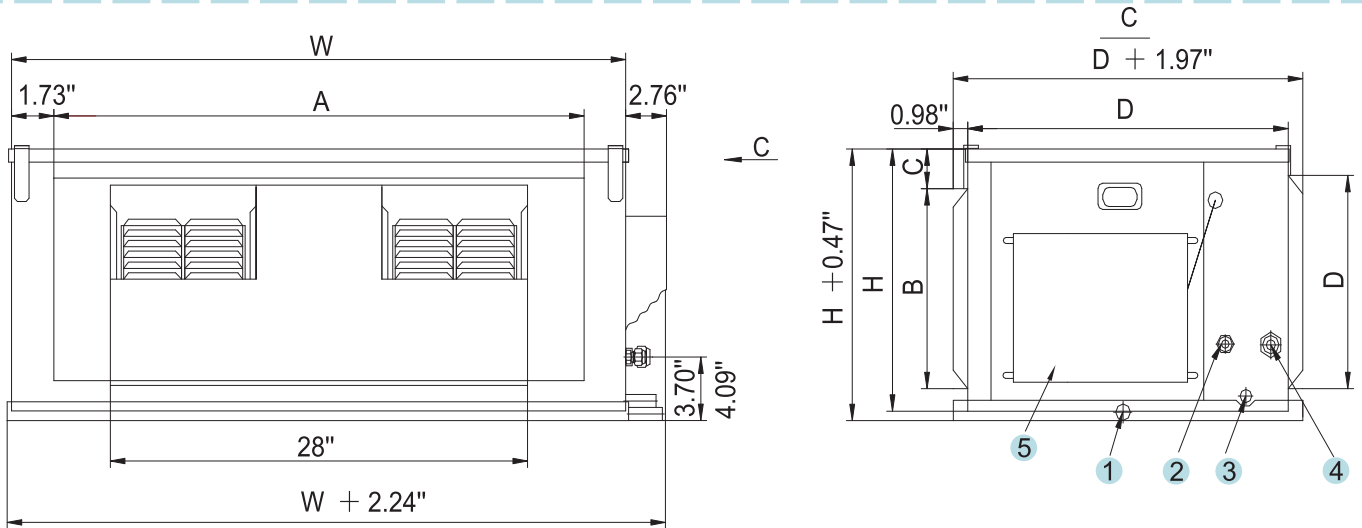


Model			700498 4 Ton	700499 5 Ton
Power Supply		Ph-V-Hz	1, 230V ,60Hz	
			3, 380~415V,60Hz	
Cooling	Capacity	BTU	47900(25580 -53560)	58500(27970 -61410)
	Input	W	4440(2050 -5350)	5550(2650 -5900)
	Rated Current	A	19.1(8.91 -23.26)	24.1(11.52 -25.62)
	EER	BTU/W	10.79	10.54
Heating	Capacity	BTU	48800(26610 -56630)	60000(28650 -64140)
	Input	W	4450(2190 -5510)	5660(2780 -6150)
	Rated Current	A	20.33(9.52 -23.94)	25.89(12.08 -26.73)
	COP	W/W	3.21	3.11
SEER		BTU·h/W·h	16.02	14.76
Air Volume At The Static Pressure (H/M/L)		Pa	130Pa	
		CFM	1190/1060/930	1706/1530/1350
Indoor Motor (H/M/L)		W	500/380/280	700/580/450
Pints per day - @ 80°F/67° RH		PPD	180 ppd	230 ppd
Indoor Unit	Dimension (W*H*D)	Inch	41.4X15.6X21.7	41.4X15.6X21.7
	Packing (W*H*D)	Inch	43.7X16.1X23.6	43.7X16.1X23.6
	Net/Gross Weight	lbs	116.8/123.5	123.5/130.1
Outdoor Unit	Dimension (W*H*D)	Inch	49.1X32.4X12.1	49.5X36.3X15.2
	Packing (W*H*D)	Inch	49.5X37.8X16	50X41.7X19.1
	Net/Gross Weight	lbs	211.5/231.7	229.5/249.7
Noise level	Indoor	dB(A)	41-52	43-54
	Outdoor	dB(A)	46-53	47-55
MAX FUSE SIZE		A	35	40
MAX.Pipe Length		Ft	65.62	82.02
MAX.Height Difference		Ft	49.21	49.21
Pipe Size Liquid/Gas		Inch	1/2"- 3/4"	1/2"- 3/4"
Refrigerant			R410a	R410a
Design Pressure		Psi	600	600
Operation Temp.		°F	62 - 88	62 - 88
Ambient Temp.		°F	-13 - 116	-13 - 116
Application Area		Ft2	752-972	864 -1080

* Cooling test condition: Outdoor Dry/Wet bulb temp. 95.0°F \75.0°F , Indoor Dry/Wet bulb temp. 80.0°F \67.0°F

* Heating test condition: Outdoor Dry/Wet bulb temp. 47.0°F \43.0°F , Indoor Dry/Wet bulb temp. 70.0°F \60.0°F

Dimensions



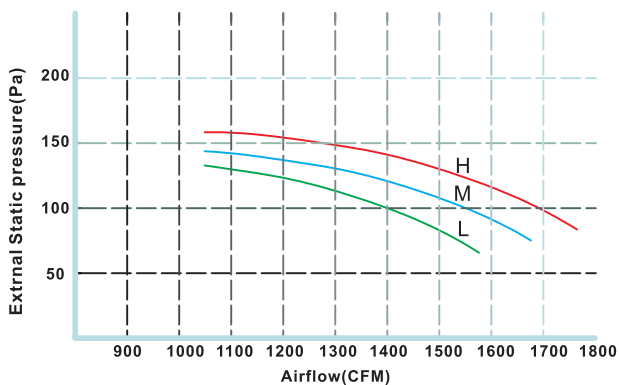
Unit: (in)

Model	Size	A	B	C	D	Dimensions		
						H(in) box/Periphery	W(in) box/Periphery	D(in) box/Periphery
700498	4 Ton	36.9"	12.0"	2.2"	12.9"	15.6"/16.1"	41.3"/43.7"	21.7"/23.6"
700499	5 Ton	36.9"	12.0"	2.2"	12.9"	15.6"/16.1"	41.3"/43.7"	21.7"/23.6"

NO.	Name	Description	NO.	Name	Description
1	Drain Pipe Connection	ZC3/4"	4	Gas Pipe Connection	-
2	Liquid Pipe Connection	-	5	Control Box	-
3	Condensate Pipe	φ 22	6		

Fan Curve Date

700498 4 Ton



700499 5 Ton

