



sun-huts.com

# INSTRUCTIONS

Models 20 • 35 • 50 • 70 • 100 • 160

Part Numbers: Model 20 #706290    Model 70 #706296  
 Model 35 #706292    Model 100 #706298  
 Model 50 #706294    Model 160 #706300

## POLE SIZES

| Model 20                              |              |
|---------------------------------------|--------------|
| Wall Poles                            | 30.5" 775mm  |
| Floor & Ceiling Poles                 | 21.6" 550mm  |
| Assembled Size: 2'W x 2'D x 5.3'H     |              |
| Model 35                              |              |
| Wall Poles                            | 30.5" 775mm  |
| Floor & Ceiling Poles                 | 29.5" 750mm  |
| Assembled Size: 2.6'W x 2.6'D x 5.3'H |              |
| Model 50                              |              |
| Wall Poles                            | 34.4" 875mm  |
| Floor & Ceiling Poles                 | 32.5" 825mm  |
| Assembled Size: 3'W x 3'D x 5.9'H     |              |
| Model 70                              |              |
| Wall Poles                            | 38.4" 975mm  |
| Floor & Ceiling Poles                 | 37.4" 950mm  |
| Assembled Size: 3.3'W x 3.3'D x 6.6'H |              |
| Model 100                             |              |
| Wall Poles                            | 38.4" 975mm  |
| Floor & Ceiling Poles                 | 45.3" 1150mm |
| Assembled Size: 3.9'W x 3.9'D x 6.6'H |              |
| Model 160                             |              |
| Wall Poles                            | 38.4" 975mm  |
| Floor & Ceiling Poles                 | 45.3" 1450mm |
| Assembled Size: 4.9'W x 4.9'D x 6.6'H |              |

## BEFORE YOU BEGIN:

Make sure you have a clear, unobstructed area to work in. Lay out all poles and connectors, grouped according to their size and/or shape. **2 PEOPLE are recommended to safely lift and fit tent body over assembled frame (Models 70, 100 and 160).**



**2 PEOPLE Recommended for Assembly**

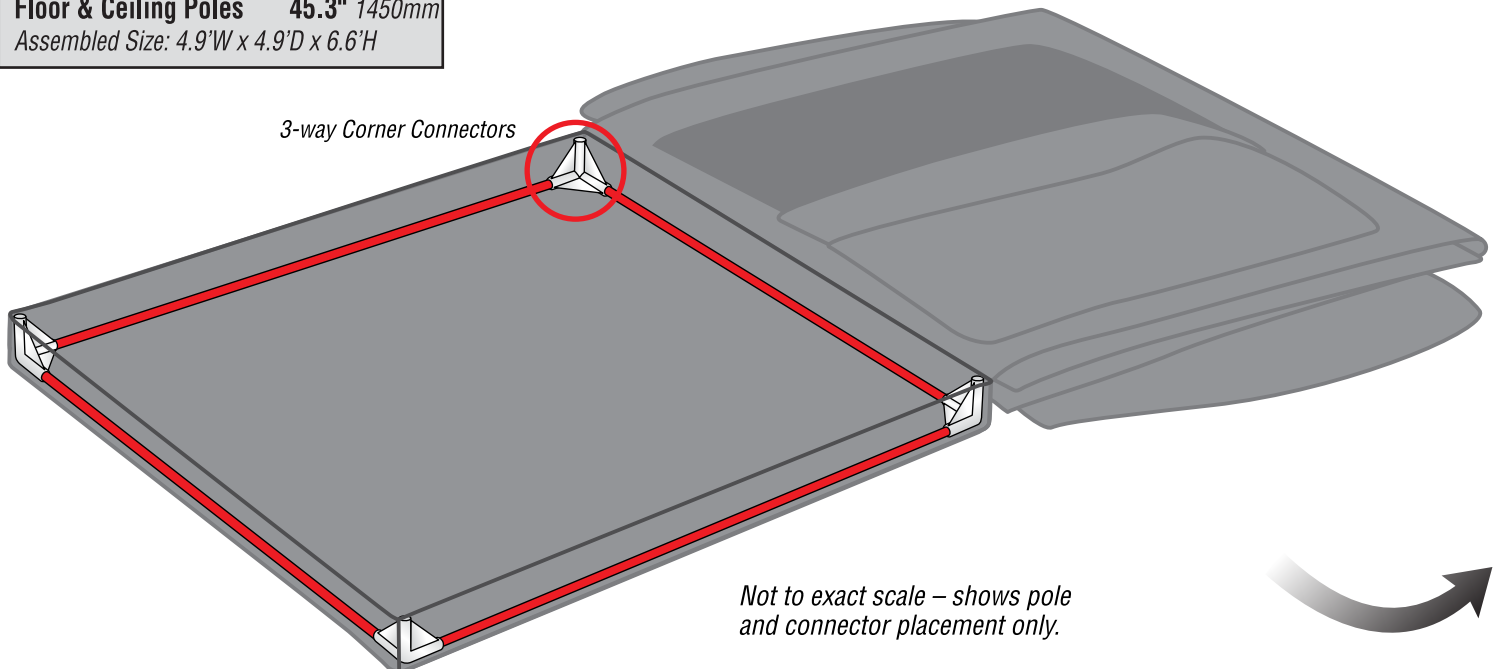
(Models 70, 100 and 160)

## PARTS LIST

- 11** Floor & Ceiling Poles (all models)
- 8** Wall Poles (all models)
- 4** Straight Pole Connectors
- 8** 3-way Corner Connectors
- 6** Equipment Hanger Connectors
- 1** Window Cover
- 2** Vent Covers
- 2** Equipment Straps
- 1** Removable Mylar Floor Insert

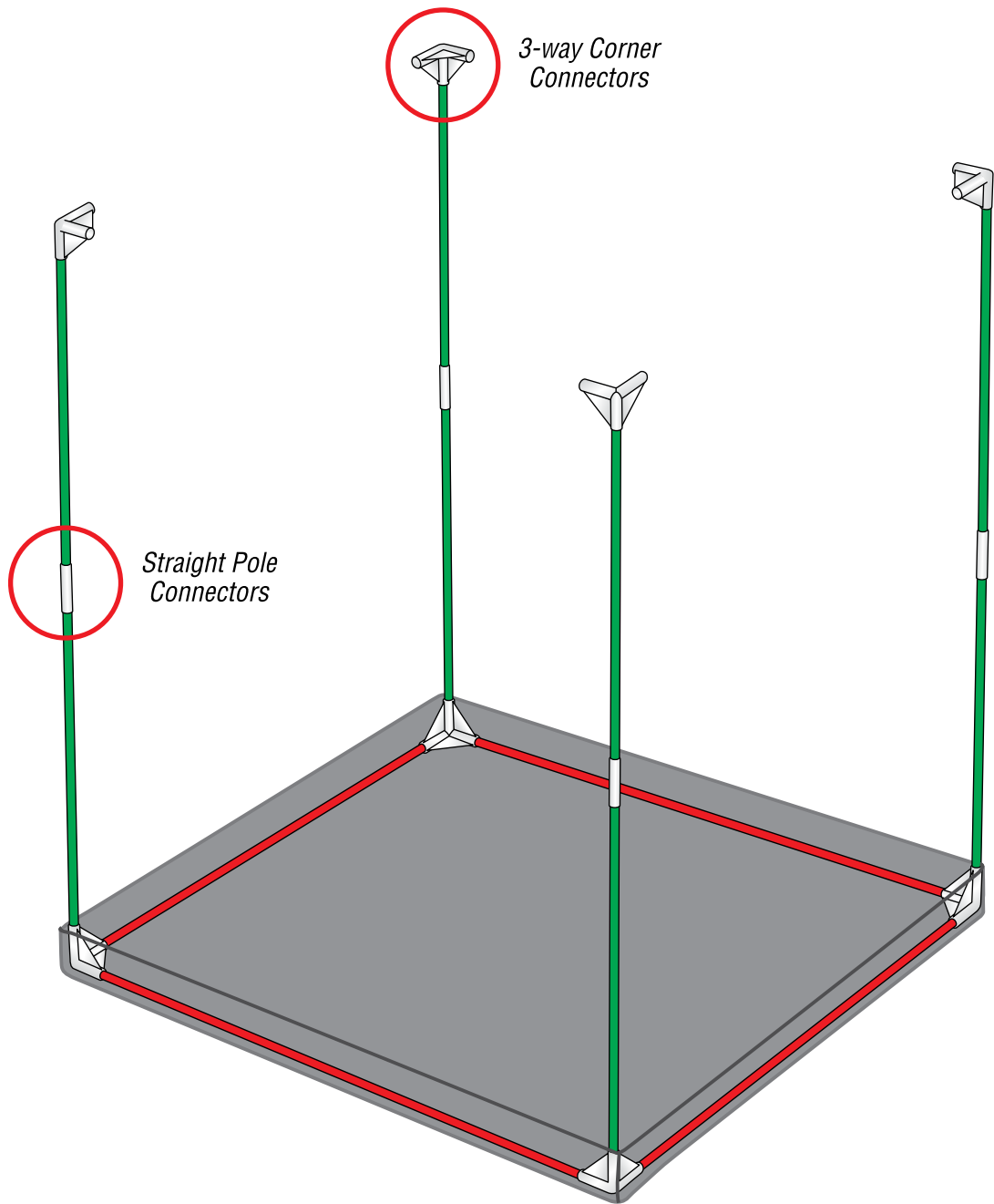
## STEP 1

Lay out tent body, unzip all doors, then fully expose floor tray and smooth it flat. Start frame assembly with floor poles first, inside floor tray as shown.



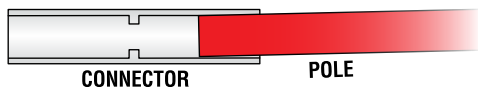
Not to exact scale – shows pole and connector placement only.

**STEP 2** Add wall poles and 3-way Corner Connectors at top.



**IMPORTANT!** Make sure all poles are fully inserted into connectors.

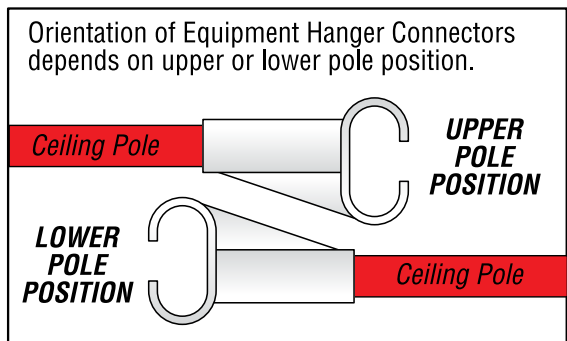
**WRONG**



**RIGHT**

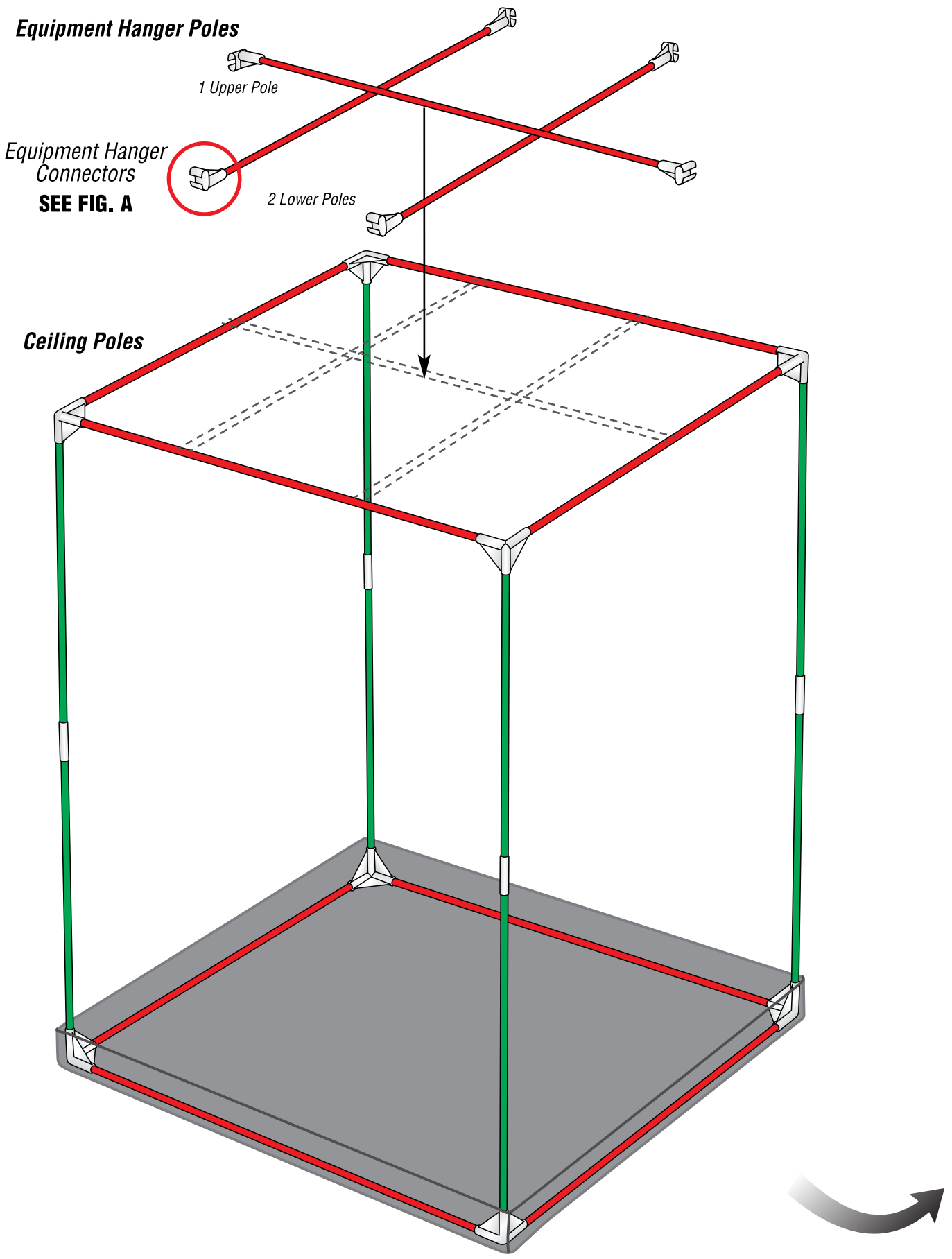


**Fig. A**



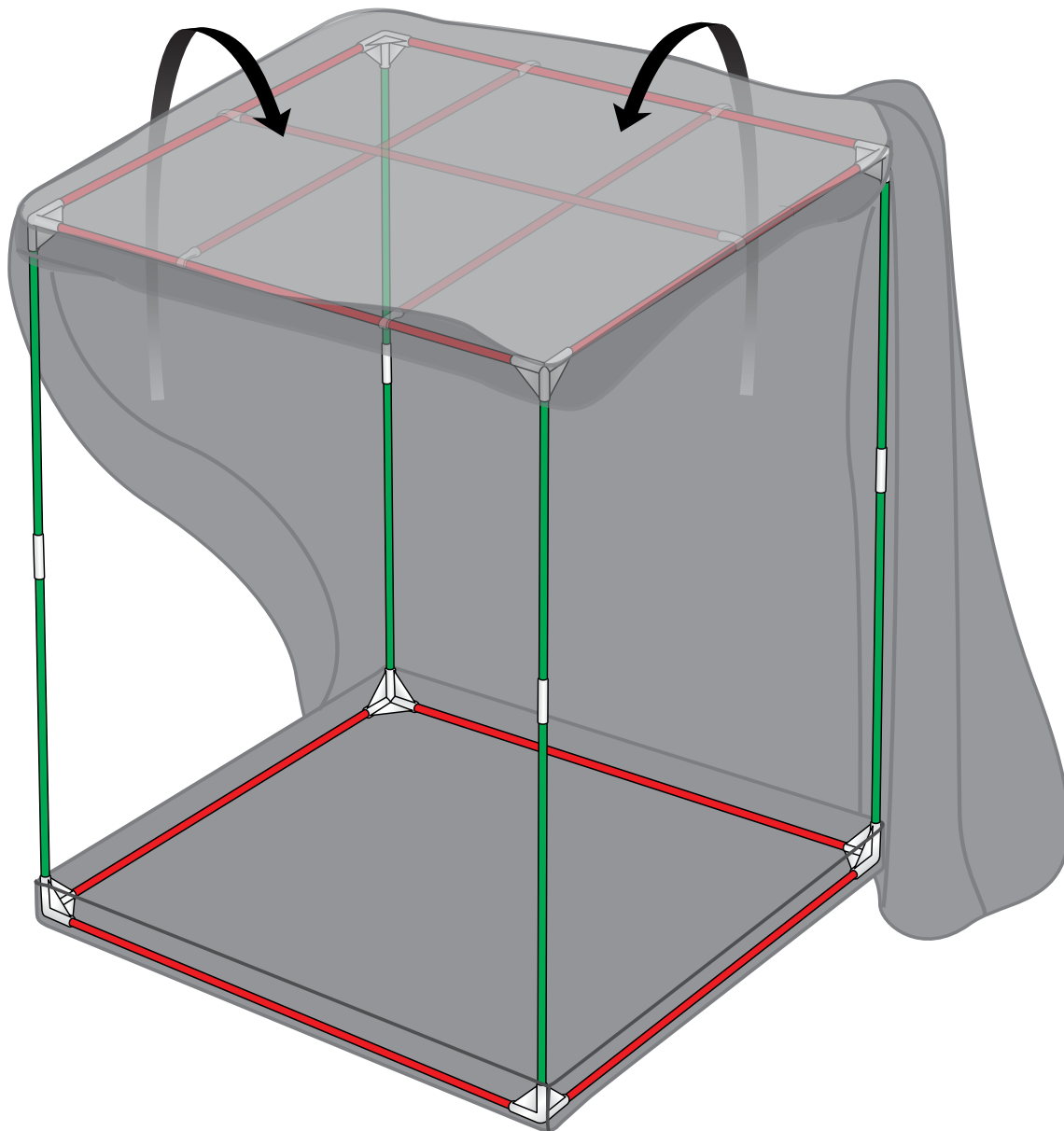
# STEP 3

Assemble Ceiling Poles and Equipment Hanger Poles.



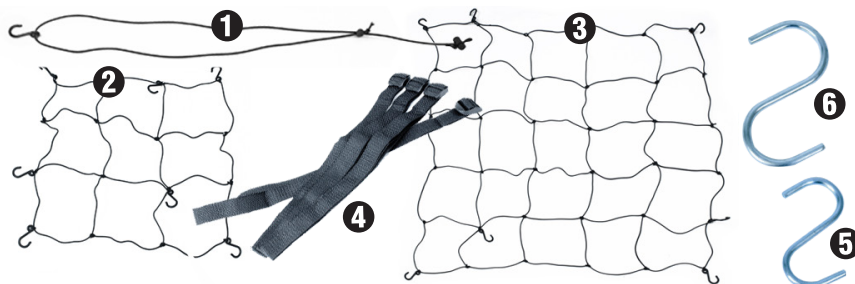
## STEP 4

Carefully lift tent body and fit over completely assembled frame (2 people are recommended for this job on Models 70, 100 and 160 – 1 person attempting to force the tent body over the frame could cause damage). After tent body is evenly placed, zip doors closed and make final adjustments to fit. Move equipment in and start growing!



### OPTIONAL ACCESSORIES

1. #706590 Elastic Support (4/pack)
2. #706592 2' x 3.33' Elastic Trellis (1/pack)
3. #706594 4' x 5' Elastic Trellis (1/pack)
4. #706596 Support Strap (2/pack)
5. #706598 16mm S Hook (5/pack)
6. #706600 22mm S Hook (5/pack)



# FRAME ASSEMBLY DIAGRAM

*Not to exact scale – to show pole and connector placement only.*

**8** 30.5" Wall Poles  
775mm

**11** 21.6" Floor & Ceiling Poles  
550mm

SUN HUT  
**Black Out**  
**MODEL 20**  
Product #706290  
Assembled Size: 2.0'W x 2.0'D x 5.3'H

3-way Corner  
Connectors

