

Notes:

---

---

---

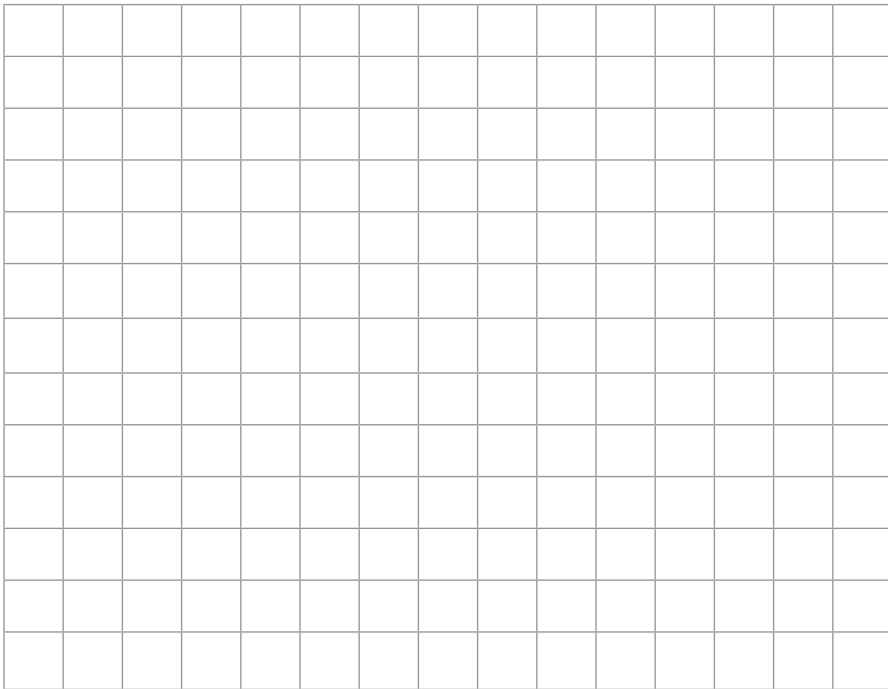
---

---

---

---

1 Square = \_\_\_ Foot / Feet



Sunlight Supply, Inc.  
National Garden Wholesale.

VANCOUVER, WASHINGTON U.S.A. 

[www.titancontrols.net](http://www.titancontrols.net)

Revision E – 01/27/2015 © Titan Controls®  
Part #111238



TITAN  
CONTROLS

# EOS 1

Humidify / Dehumidify Controller  
Instruction Manual



Sunlight Supply, Inc.  
National Garden Wholesale.

VANCOUVER, WASHINGTON U.S.A.



[www.titancontrols.net](http://www.titancontrols.net)

# Eos<sup>®</sup> 1

- Warnings & Cautions
- Eos<sup>®</sup> 1 – Humidify/Dehumidify Controller Overview
- Instructions for Operation
- Troubleshooting Tips
- Controller Specifications
- Installation Examples
- Warranty Information
- Service and Repair Program

## Warnings & Cautions

- Read all instructions before operating the Eos<sup>®</sup> 1 controller.
- Do not put your controller in an area where it can get wet or sprayed.
- Mount your controller securely to the wall using hardware provided.
- When using “bug bombs” in area, cover controller completely to avoid corrosion.
- Keep vents free from obstructions to allow the controller to function properly.
- There are no serviceable parts in controller. Do not attempt to repair the unit.
- Breaking “warranty” seal will void your warranty.
- Do not put paperclips, tools, etc. into unit. Possible electrocution may occur.
- Plug controller into surge protector to avoid potential damage to the unit.
- Make sure to verify your power source is 120 Volts prior to plugging controller into outlet.
- Check that all equipment that will be activated by this controller is 120 volts.
- This controller is designed for inside use only.
- Avoid placing the controller near heat generating sources.
- Use caution when operating controller in extremely humid environments.
- Do not use controller for purposes other than the unit was designed to function
- Use controller within defined environmental specifications.
- Ask your Dealer for tips and techniques regarding the use of this controller.
- Be conscientious when disposing of any products.
- Enjoy your Titan Controls<sup>®</sup> environmental controller for years to come!

## Eos<sup>®</sup> 1 – Humidify / Dehumidify Controller Overview

The Eos<sup>®</sup> 1 Humidify/Dehumidify Controller is used to control a device that will either increase or reduce the humidity in your area. You can set your desired relative humidity by adjusting the dial on the front of the unit. The adjustment of the dial ranges from 20% RH to 80% RH in a non-condensing environment. After setting the dial at the preferred setting, the controller will

### WARRANTY SERVICE: Please read warranty information first

If after reviewing the troubleshooting tips the unit will still not work, you should return it to the Dealer where you purchased it. They will be able to further evaluate the unit and test its various components and quite possibly will be able to identify and/or fix any problems. If the Dealer is unable to fix the unit, they will return it to us for factory repair.

If there are no Dealers in your area, you may contact us directly for technical support. If we cannot help you resolve the problem over the phone, we will issue you an RMA # (return merchandise authorization) authorizing you to return the unit to us for factory reconditioning (if the unit is under warranty). Contact the number below for an RMA # and shipping address. Complete the form below and include it with your unit. Also please write the RMA # on the outside of the box.

Please package the unit in its original packaging. If it is damaged in shipment we cannot be responsible.

Once we receive the unit back, we will repair it within 48 hours (business) and return it to you freight prepaid via UPS ground shipment.

Include the following if returning directly to Titan Controls<sup>®</sup>

- Proof of purchase
- This completed form
- RMA # on the outside of the box

Return Merchandise Authorization Number (Required) \_\_\_\_\_

Company Name: \_\_\_\_\_

Contact Name: \_\_\_\_\_

Address: \_\_\_\_\_  
\_\_\_\_\_

Phone #: \_\_\_\_\_

Email address: \_\_\_\_\_

*What is the nature of the problem?* \_\_\_\_\_  
\_\_\_\_\_  
\_\_\_\_\_  
\_\_\_\_\_  
\_\_\_\_\_

Send to your nearest location – shipping address will be given when the RMA # is issued:

 [www.titancontrols.net](http://www.titancontrols.net)  
For technical assistance call us at 1-888-80-Titan or 1-888-808-4826.  
Representative available Monday – Friday, 8 a.m. – 5 p.m. PST.

## Warranty Information

- Titan Controls® warrants the original purchase of this product against defects in material and workmanship under normal use for three (3) years from the date of purchase.
- During the warranty period, Titan Controls® will, at our option, and without charge, repair or replace this product if the controller or any of its components fail or malfunction.
- All returns or repairs must be accompanied by a Return Merchandise Authorization (RMA) number prior to any service of the product.
- This warranty is expressly in lieu of all other warranties, expressed or implied, including the warranties of merchantability and fitness for use and of all other obligations or liabilities on the part of the seller.
- This warranty shall not apply to this product or any part thereof which had been damaged by accident, abuse, misuse, modification, negligence, alteration or misapplication.
- Controllers with serial numbers or date tags that have been removed, altered or obliterated; broken seals or that show evidence of tampering; mismatched board serial numbers or nonconforming parts, are excluded from coverage.
- Titan Controls® makes no warranty whatsoever in respect to accessories or parts not supplied by Titan Controls®.
- Monetary refunds of the warranty will not be given.
- The Buyer assumes all responsibility regarding the use & installation of this controller.
- All warranty service is provided through the factory or an authorized service representative.
- This warranty shall apply only to the United States, including Alaska, Hawaii and territories of the United States and Canada.
- Defective controllers need to be returned with the “proof of purchase/receipt”.
- For additional warranty information, contact a Titan Controls® Technical Service Representative at 888-808-4826 or your Dealer. Our normal business hours are Monday – Friday, 8 a.m. to 5 p.m. Pacific Standard Time. We are closed most major holidays.
- NOTE: Titan Controls® is a manufacturer of environmental controls. All sales offerings to the public are done through a nationwide group of Dealers. No sales offerings will be made directly to the general public.

## Service and Repair Program

- For all service and repairs please contact one of our Technical Service Representatives for a Return Merchandise Authorization (RMA) number.
- All factory service & repairs will be completed within 48 hours of receipt of controller and after authorization by customer for repairs.
- Titan Controls® will, at its discretion, repair or replace the controller.
- Factory calibration services are available for all Titan Controls®.
- Returning Units: Please contact your retail store for returns.

maintain that setting utilizing a 4% differential or deadband. At 70% RH in the humidify mode, the equipment will be activated at 68% RH, and will deactivate at 72% RH. In the dehumidify mode, with the setting at 70% RH, the equipment will activate at 72% RH, and deactivate at 68% RH. This differential allows your equipment to perform at an optimum level with minimum cycling and reduces stress to your equipment.

The switch on the bottom right of the controller is used to determine whether it will be used in the “Humidify” mode or the “Dehumidify” mode.

The Eos® 1 provides up to 15 amps of capacity on a standard 120 volt circuit. The Eos® 1 is built with the highest quality components and will provide the user with years of trouble free service.

## Instructions for Operation

- Securely mount your Eos® 1 in your enclosure and away from any spray/water/mist, etc.
- Set the “Humidify/Dehumidify” switch to activate your equipment at preferred setting.
- Plug your equipment into the female side of the piggyback cord set.
- Adjust your equipment (humidifier, dehumidifier or fan) to highest setting on the dial.
- Verify that the equipment to be activated is turned “ON”
- Plug the male side of the piggyback cord set into a 120 volt / 15 amp outlet. Use of a surge protection power strip is recommended.
- Your Eos® 1 will now control your equipment at the desired settings until the power is defeated.
- To reset your Eos® 1:
  1. Simply unplug the piggyback cord from the 120 volt outlet, adjust your settings, and plug it back into the 120 volt outlet to activate controller at new settings.

## Troubleshooting Tips

If the Eos® 1 is not performing as expected, try the following:

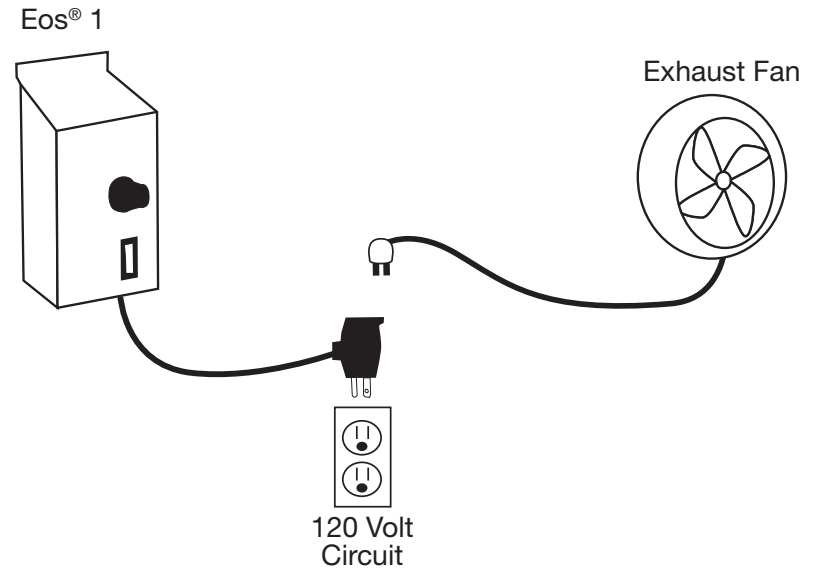
- a. Confirm that your power input is providing 120 volts/ 15 amps to the controller.
- b. Check the voltage output of your piggyback cord set using a voltage test meter to verify 120 Volt power is flowing through controller when activated.
- c. Make sure that your “Humidification/Dehumidification” switch is in the correct mode for your application.
- d. If your Eos® 1 is not functioning in the correct mode, check the vents to see if there are any obstructions or impediments covering them. If so, clean the vents using a soft cloth.
- e. Should you find that your Eos® 1 is not activating your equipment, verify that your setting on the controller is correct and that the power switch on your equipment is “on” and at the highest setting.
- f. If you’re still having problems with your Eos® 1, please contact our Technical Service Representative at 1-888-808-4826 to assist you further.

## Controller Specifications:

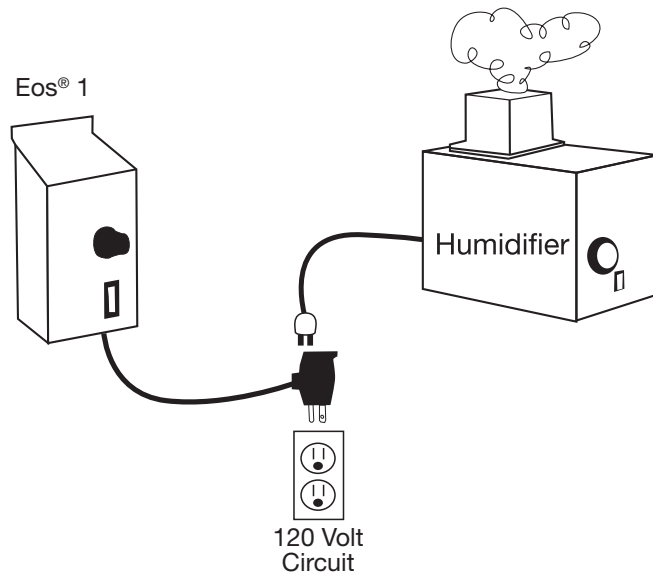
- Size = 8"H x 4"W x 2.5"D
- Weight = 2 lbs.
- Input Voltage = 120 VAC – 60 Hz
- Output Voltage = 120 VAC – 60 Hz
- Maximum Amperage = 15 amps
- Differential/Deadband = 4% split
- Minimum Humidity Control = 20% RH (Non-condensing)
- Maximum Humidity Control = 80% RH (Non-condensing)
- RoHS compliant = Yes
- Storage Temperature = 32°F (0°C) to 135°F (58°C)
- Operating Temperature = 32°F (0°C) to 120°F (50°C)

## Installation Examples

### Controlling a Fan



### Controlling a Humidifier



### Controlling a Dehumidifier

