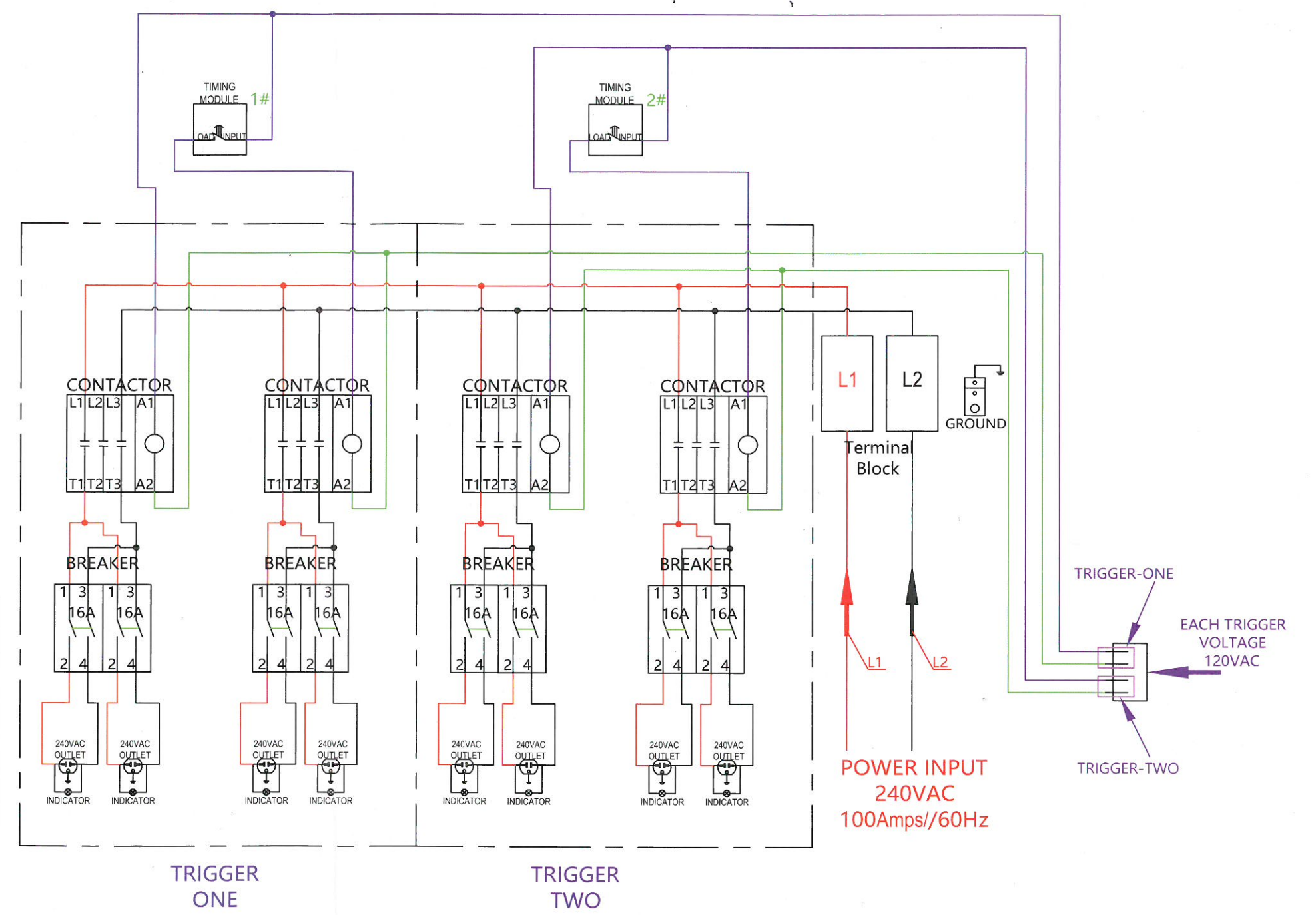


ITEM	SLS Part #	DESCRIPTION
1	462000	Replacement Single Pole 4x16 100 Amp Terminal Block for Spartan Lighting Controller
2	462006	Replacement 16 mm Ground Bar Kit for Spartan Lighting Controller
3	462010	Replacement Single Trigger Cord Input for Spartan Lighting Controller
4	462012	Replacement Timing Module for Spartan Lighting Controller
5	462013	Replacement Circuit Breaker for Spartan Lighting Controller
6	462008	Replacement Receptacle for Spartan Lighting Controller
7	462009	Replacement Indicator Light for Spartan Lighting Controller
8	462011	Replacement Trigger Cord for Spartan Lighting Controller



REVISION HISTORY			
REV	DESCRIPTION	DATE	APPROVED
A	RELEASE	2017.12.06	Z.L

PROPERTY OF Sunlight Supply, Inc.			
DESCRIPTION ELECTRICAL SCHEMATIC FOR 16 Light Controller With Dual Trigger Cords			REV A01
PART NO. 16 Light Controller With Dual Trigger Cords(#703010)			SIZE A01
<b>PROPRIETARY AND CONFIDENTIAL</b> THE INFORMATION CONTAINED IN THIS DRAWING IS THE SOLE PROPERTY OF Sunlight Supply, Inc. ANY REPRODUCTION IN PART OR AS A WHOLE WITHOUT THE WRITTEN PERMISSION OF Sunlight Supply, Inc. IS PROHIBITED.	DRAWING	Y.X	2017.12.06
	CHECKED	Z.L	2017.12.06
	APPROVED	Z.L	2017.12.06
	MATERIAL		DO NOT SCALE DRAWING
FINISH		SHEET 1 OF 1	