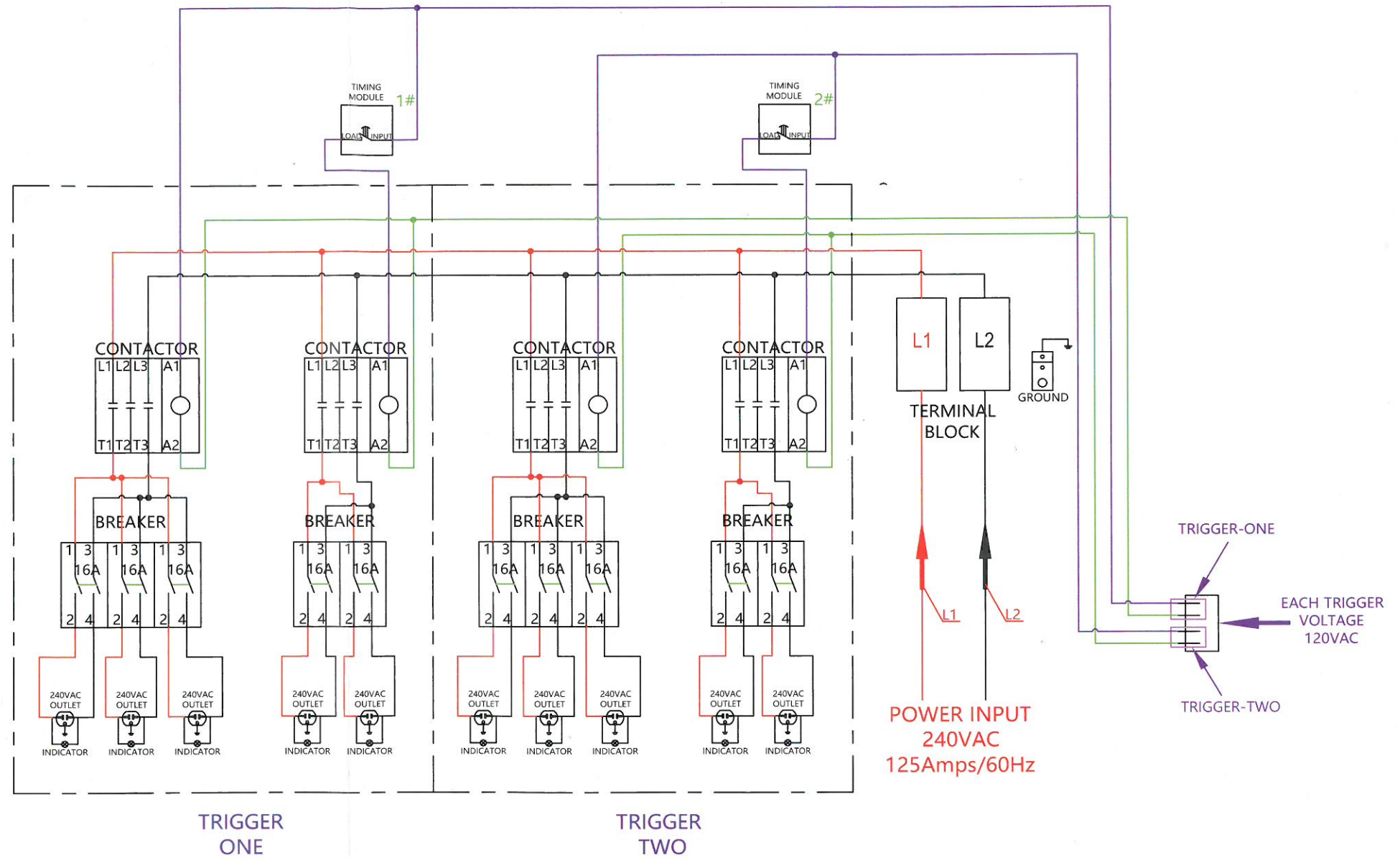


| ITEM | SLS Part # | DESCRIPTION |
|------|------------|---|
| 1 | 462002 | Replacement Single Pole 4x16 150 Amp Terminal Block for Spartan Lighting Controller |
| 2 | 462006 | Replacement 16 mm Ground Bar Kit for Spartan Lighting Controller |
| 3 | 462010 | Replacement Single Trigger Cord Input for Spartan Lighting Controller |
| 4 | 462012 | Replacement Timing Module for Spartan Lighting Controller |
| 5 | 462013 | Replacement Circuit Breaker for Spartan Lighting Controller |
| 6 | 462008 | Replacement Receptacle for Spartan Lighting Controller |
| 7 | 462009 | Replacement Indicator Light for Spartan Lighting Controller |
| 8 | 462011 | Replacement Trigger Cord for Spartan Lighting Controller |



REVISION HISTORY

| REV | DESCRIPTION | DATE | APPROVED |
|-----|-------------|------------|----------|
| A | RELEASE | 2017.12.06 | Z.L |
| | | | |
| | | | |
| | | | |

| | | | |
|---|----------|----------------------|------------|
| PROPERTY OF Sunlight Supply, Inc. | | | |
| DESCRIPTION ELECTRICAL SCHEMATIC FOR 20 Light Controller With Dual Trigger Cords | | | REV A01 |
| PART NO. 20 Light Controller With Dual Trigger Cords(#703014) | | | SIZE A01 |
| <small>PROPRIETARY AND CONFIDENTIAL</small> <small>THE INFORMATION CONTAINED IN THIS DRAWING IS THE SOLE PROPERTY OF Sunlight Supply, Inc. ANY REPRODUCTION IN PART OR AS A WHOLE WITHOUT THE WRITTEN PERMISSION OF Sunlight Supply, Inc. IS PROHIBITED.</small> | DRAWING | Y.X | 2017.12.06 |
| | CHECKED | Z.L | 2017.12.06 |
| | APPROVED | Z.L | 2017.12.06 |
| MATERIAL | | DO NOT SCALE DRAWING | |
| FINISH | | SHEET 1 OF 1 | |