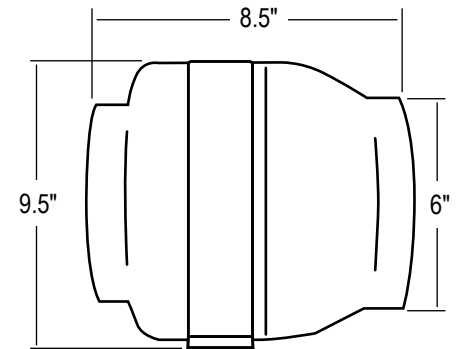


# SPECIFICATIONS

## Hurricane™ After Burner™ Mixed Flow Fan - 6 Inch Item #736130



<b>ETL LISTED</b>	Yes
<b>Tested to UL Standard No. 507</b>	
<b>Tested to CSA Standard C22.2 No. 113</b>	
<b>VOLTAGE</b>	120
<b>AMPS</b>	0.6
<b>WATTAGE</b>	69
<b>CFM</b>	335
<b>RPM</b>	3284
<b>POWER CORD</b>	Integrated 7 ft. - 120 Volt
<b>FAN DIAMETER</b>	6 inch
<b>WEIGHT</b>	3.2 lbs
<b>WARRANTY</b>	5 year

**Hurricane**  
**AFTER BURNER**

Hurricane™ After Burner™ Mixed Flow Fan - 6 Inch Spec Sheet - Last Updated 04242014

*This document is not intended to be used for installation purposes. We cannot cover all specific applications or anticipate all requirements. All specifications are subject to change without notice.*