

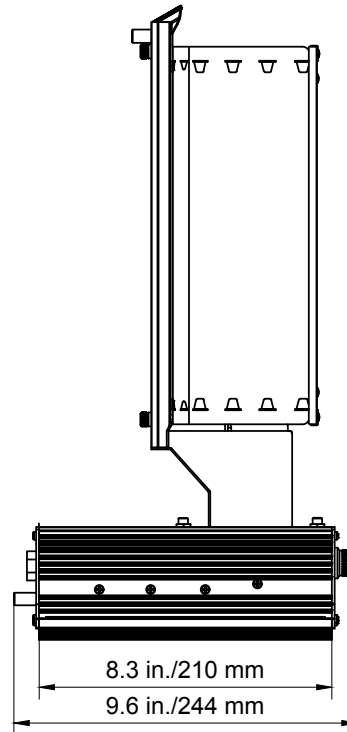
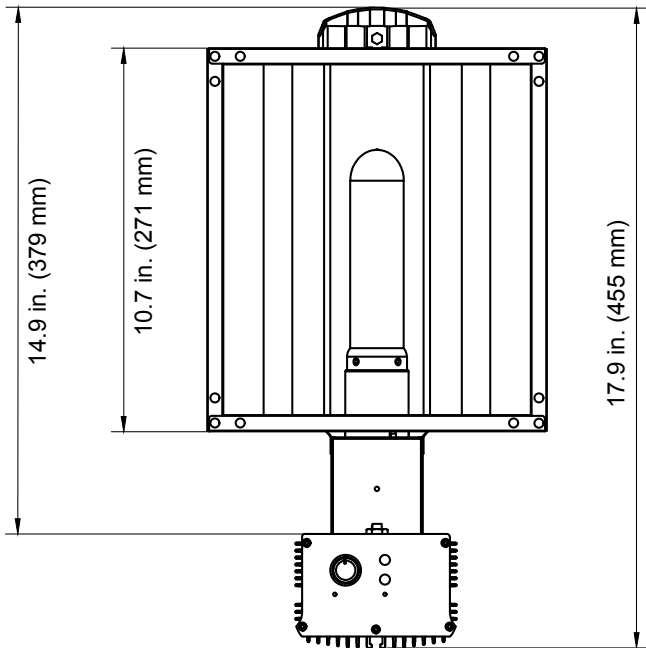
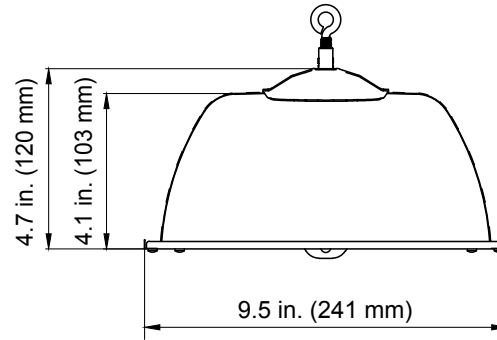
SPECIFICATIONS

Sun System® Pro Sun™ LEC 315 – 120-240 Volt

Item #906246



• = yes



•	ETL LISTED
Tested to UL Standard #1598 Tested to CSA Standard C22.2 No. 250	
•	3 YEAR WARRANTY
VOLTAGE	
•	120-240 V
AMPS AT 120 V POWER: 3.0 A	
AMPS AT 240 V POWER: 1.5 A	
OUTPUT FREQUENCY: 160 Hz	
POWER FACTOR (cosφ): > 0.97	
MAX AMBIENT TEMP: 104° F (40° C)	
TOTAL HARMONIC DISTORTION: < 10%	
POWER CORD	
•	DETACHABLE DUAL FERRITE POWER CORD w/ 120 or 240 VOLT ADAPTOR
LAMP COMPATIBILITY	
•	ANSI C182/O
Max. Wattage: 315 W	
LAMP POSITION	
•	HORIZONTAL
	VERTICAL
LAMP SOCKET TYPE	
•	INTEGRATED 4KV PGZX BASE

906246 SunSystem® ProSun™ LEC315 120-240V Spec-Sheet- Last Updated 03/27/2019