

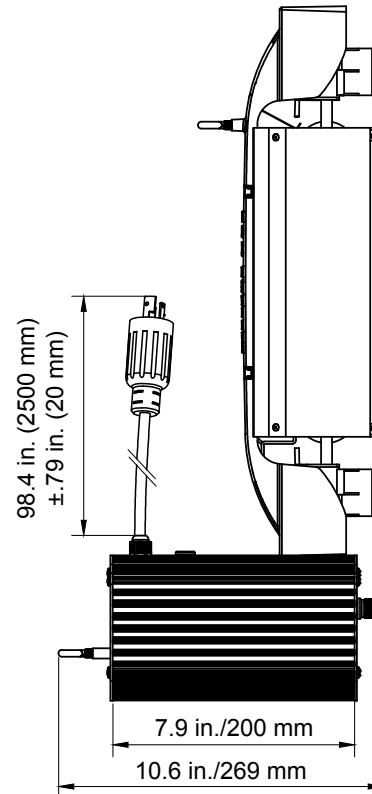
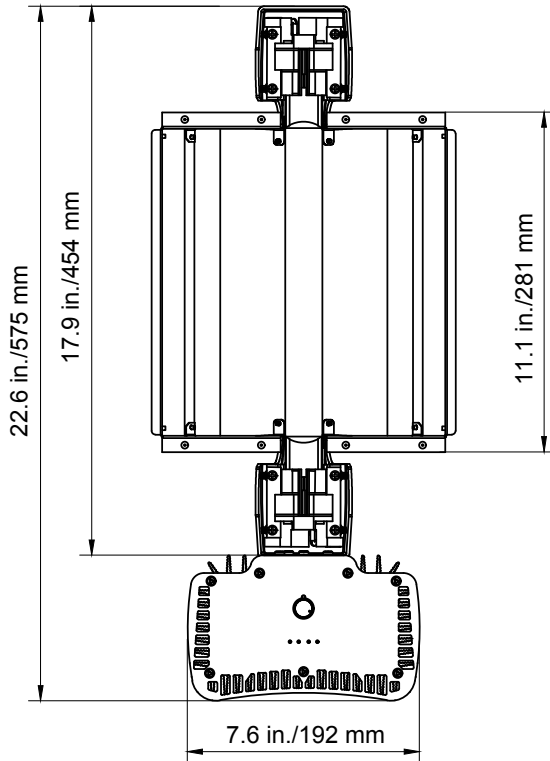
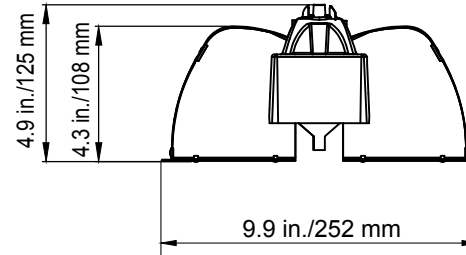
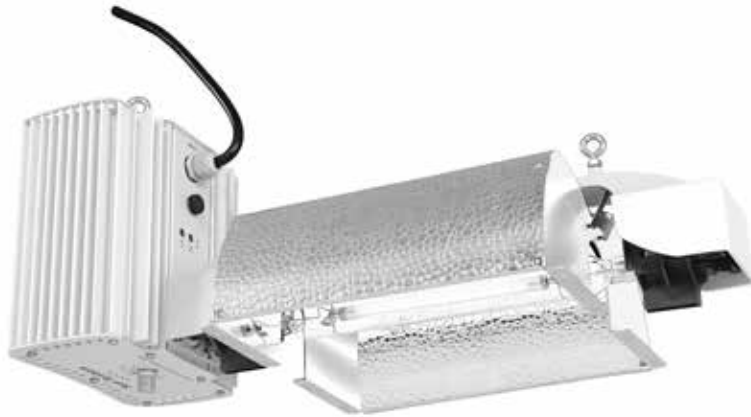
SPECIFICATIONS

Sun System® Pro Sun™ DE 1000 Watt – 480 Volt

Item #906308



• = yes



•	ETL LISTED
	Tested to UL Standard #1598 Tested to CSA Standard C22.2 No. 250
•	3 YEAR WARRANTY
VOLTAGE	
•	480 V
AMPS AT 480 V POWER: 2.8 A	
POWER SOURCE: 50/60 Hz	
OUTPUT FREQUENCY: 105 kHz	
POWER FACTOR (cosφ): > 0.97	
MAX AMBIENT TEMP: 104° F (40° C)	
TOTAL HARMONIC DISTORTION: < 10%	
POWER CORD	
•	ATTACHED 480 V w/ L8-20P
LAMP COMPATIBILITY	
•	Double-Ended HPS
Max. Wattage: 1000 W	
LAMP POSITION	
•	HORIZONTAL
	VERTICAL
LAMP SOCKET TYPE	
•	12K x 30 INTEGRATED 5KV DOUBLE-ENDED

Sun System® Pro Sun™ DE 1000 Watt 480 V Spec-Sheet - Last Updated 03/27/2019



This document is not intended to be used for installation purposes. We cannot cover all specific applications or anticipate all requirements. All specifications are subject to change without notice.