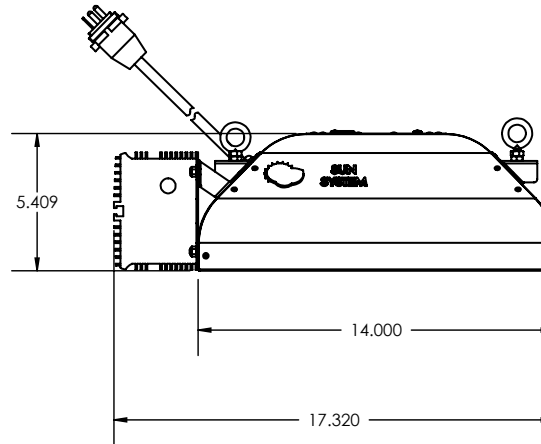
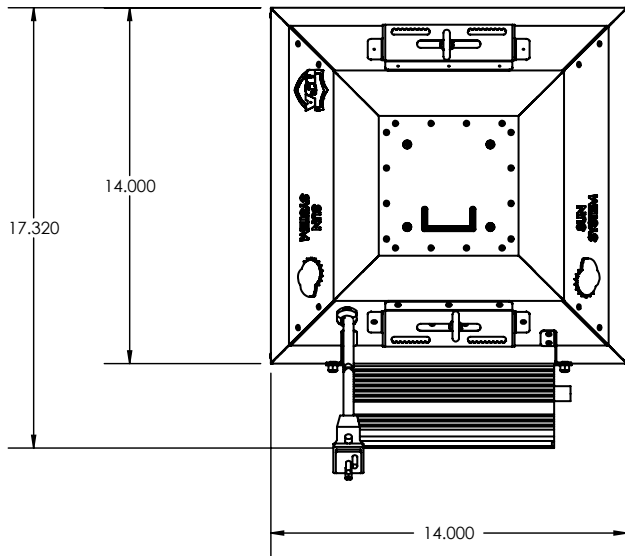


SPECIFICATIONS

Item #906622 & #906625



Sun System® LEC® 315 Watt Boss Comm Fixture 277 Volt



Sun System® 1

This document is not intended to be used for installation purposes. We cannot cover all specific applications or anticipate all requirements. All specifications are subject to change without notice.

• = yes

•	CSA LISTED
Tested to UL Standard #1598 Tested to CSA Standard C22.2 No. 74	
•	FCC CERTIFIED
•	FABRICATED IN USA*
LAMP COMPATIBILITY	
•	CDM-T LIGHT EMITTING CERAMIC® BRAND
Lamp Wattage: 315	
TRANSFORMER VOLTAGE	
	120 / 208 / 240
	240 ONLY
•	277 ONLY
AMPS AT 120V POWER: N/A	
AMPS AT 208V POWER: N/A	
AMPS AT 240V POWER: N/A	
AMPS AT 277V POWER: 1.25	
POWER SOURCE Hz: 50/60	
POWER FACTOR (cosφ): > 0.99	
AMBIENT TEMPERATURE: 40°C	
TOTAL HARMONIC DISTORTION: < 10%	
POWER CORD	
	DETACHABLE CORD W/ 120 VOLT & 240 VOLT PLUGS
•	HARD WIRED 277 VOLT w/ L7-15p TWIST LOCK PLUG
LAMP CORD RECEPTACLE COMPATIBILITY	
	DUAL UNIVERSAL
•	SUN SYSTEM ONLY
WARRANTY	
	2 YEAR
•	3 YEAR
	5 YEAR

* with US and globally sourced parts