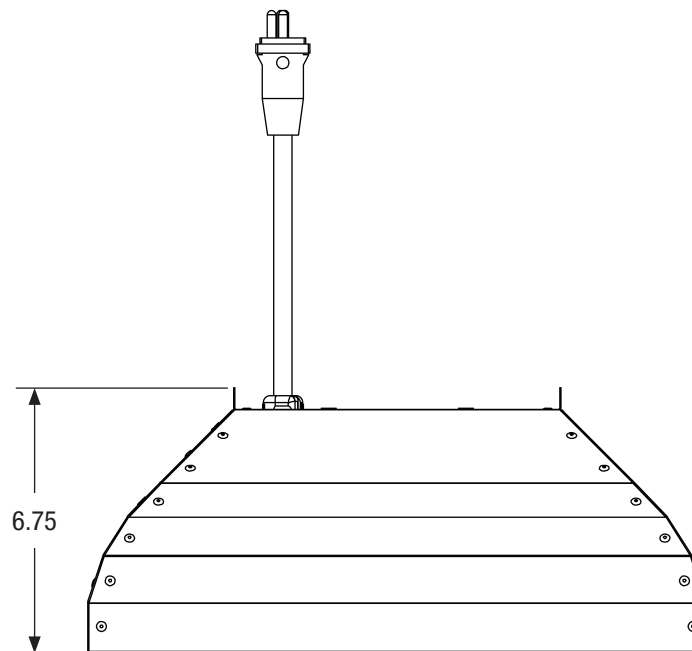
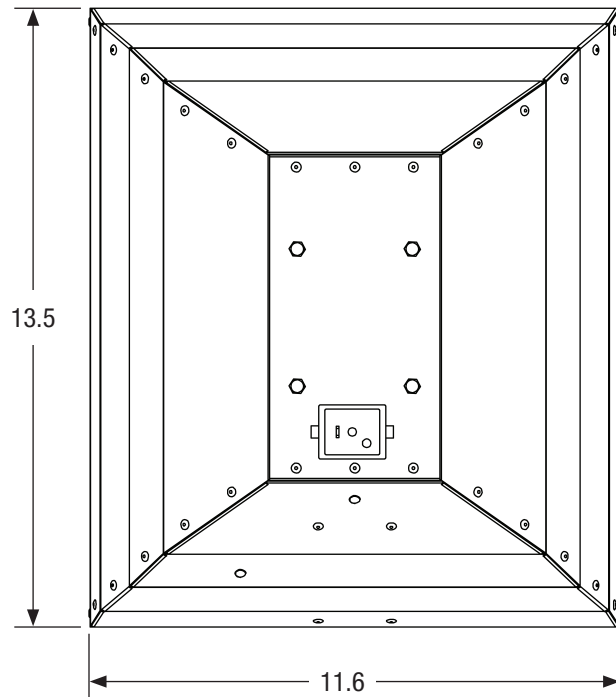


SPECIFICATIONS

Neutron™ LEC® Brand 315 Remote Reflector

Item #906268



REFLECTOR WEIGHT: 4.6 lbs



This document is not intended to be used for installation purposes. We cannot cover all specific applications or anticipate all requirements. All specifications are subject to change without notice.

• = yes

•	ETL LISTED
	NOT ETL LISTED
Tested to UL Standard #1598	
	AIR-COOLED
	ACCEPTS GLASS
	HINGED GLASS FRAME
	DETACHABLE LAMP CORD
•	600 VOLT RATED CORD
	FABRICATED IN USA*
•	5 YEAR WARRANTY
BALLAST COMPATIBILITY	
•	Galaxy® LEC® Brand 315 W Ballast 120-240 Volt (Part #906270)
•	Galaxy® LEC® Brand 315 W Ballast 277 Volt (Part #906272)
LAMP COMPATIBILITY	
•	CDM-T LEC® BRAND
Lamp Wattage: 315	
LAMP POSITION	
•	HORIZONTAL
	VERTICAL
LAMP SOCKET TYPE	
	INTEGRATED - for use with
•	CDM-T 315 WATT LEC® brand lamps only

* with US and globally sourced parts