

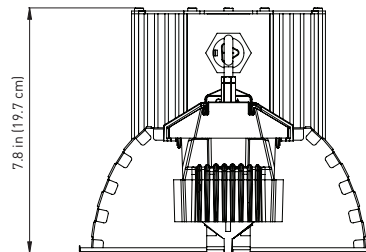
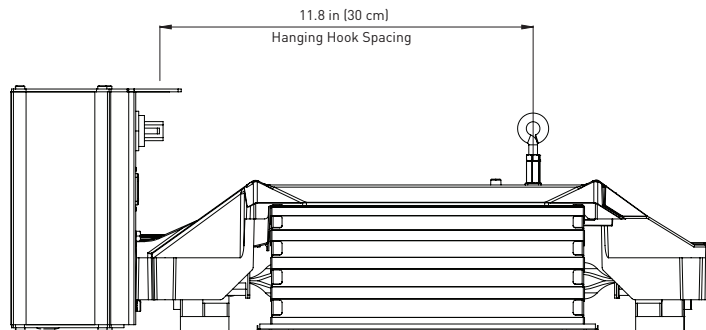
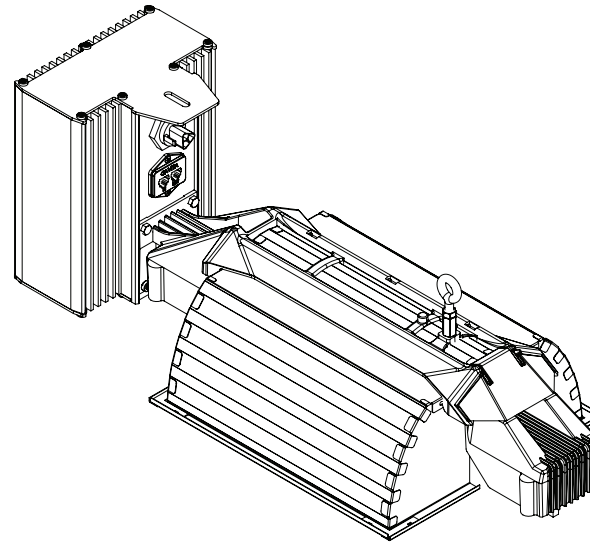
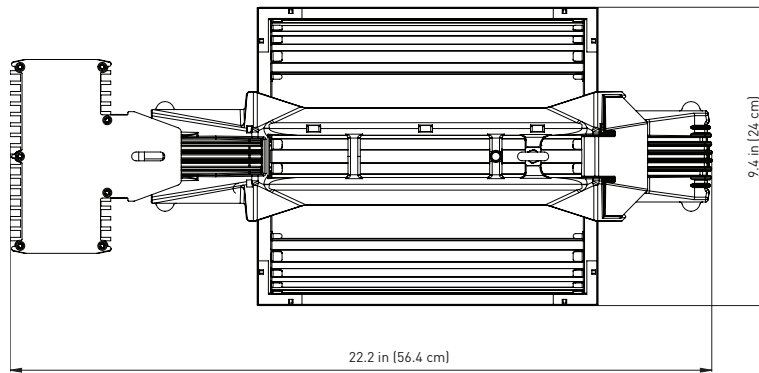
# Gavita® Pro 6/750 277-347 V

Item #HGC906023

Item #HGC906071



## SPECIFICATIONS



<b>INPUT VOLTAGE:</b> 277-347 V	
<b>INPUT WATTS:</b> 780-875 W	
<b>HEAT LOAD:</b> 2,700 btu/hr*	
<b>CURRENT - 100%</b>	<b>CURRENT - 110%</b>
277V: 2.8 A	277V: 3.2 A
347V: 2.3 A	347V: 2.5 A
<b>INRUSH CURRENT:</b> < 23 A	
<b>FREQUENCY:</b> 50/60 Hz	
<b>POWER FACTOR (cosφ):</b> > 0.99	
<b>Voltage THD</b>	
277 V	1.30%
347 V	1.30%
<b>Current THD</b>	
277 V	4.00%
347 V	5.52%
<b>AMBIENT TEMP:</b> 32-95° F (0-35° C)	
<b>ENVIRONMENTAL RATING:</b> Damp locations	
<b>CONTROL:</b> 0-10 V DC source (11 V DC @110%)	
<b>MOUNTING:</b> Eye bolts included (Other options available)	
<b>WEIGHT:</b> 8.4 lb	<b>DIM:</b> 22.2 in x 9.4 in x 7.8 in
<b>CERTIFICATIONS</b>	
UL 1598, UL 8800, & CSA C22.2 No. 250.0	
FCC Part 18, Non-consumer	

\*Please consult HVAC Expert to calculate total heat load in your grow space

HGC906071 Gavita® Pro 6/750 277-347V Spec-Sheet- Last Updated 06/25/2020



This document is not intended to be used for installation purposes. We cannot cover all specific applications or anticipate all requirements. All specifications are subject to change without notice.

HawthorneGC.com | Canada: HawthorneGC.ca